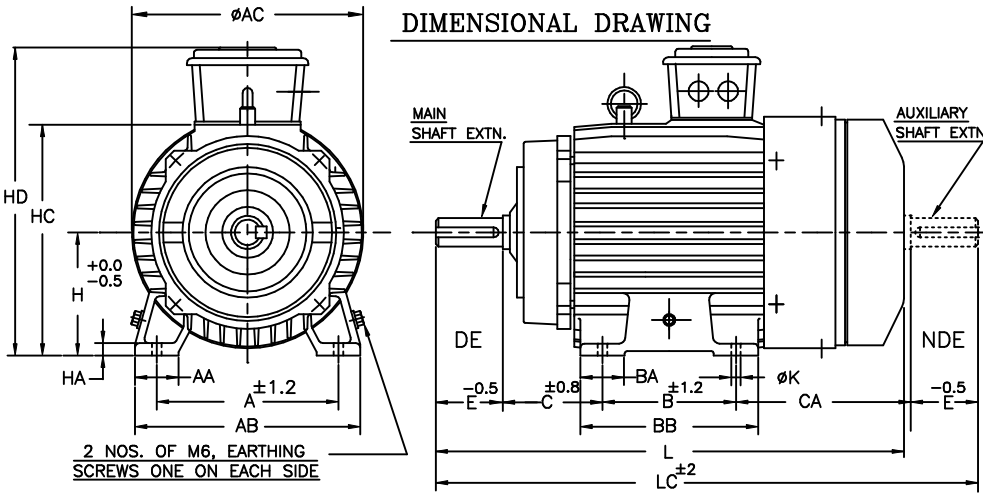
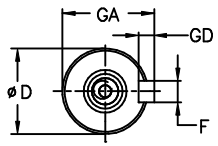


UNMENTIONED TOLERANCES
 LINEAR ABOVE 0 6 315 1000
 DIMENSIONS(UPTO 6 315 1000 2000
 (MACHINED)TOL. ±0.2 ±0.5 ±0.8 ±1.2
 ANGLES ± 1/2°

ALL INFORMATION CONTAINED IN THIS DOCUMENT IS CONFIDENTIAL AND THE PROPERTY OF KIRLOSKAR ELECTRIC CO.LTD. REPRODUCING OF THESE IN ANY FORM IS TO BE DONE WITH THE SPECIFIC PERMISSION OF THE COMPANY.



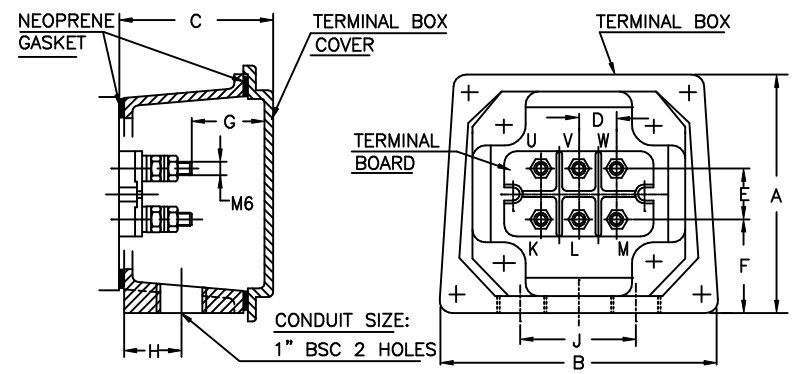
2 NOS. OF M6, EARTHING SCREWS ONE ON EACH SIDE



- NOTE :
1. DIMENSIONS ARE AS PER IS:1231
 2. MAIN & AUXILIARY SHAFT EXTENSIONS ARE IDENTICAL.
 3. DEGREE OF PROTECTION: IP:55.
 4. TOLERANCE ON 'D' : k6 UPTO Ø42
 5. PROTECTED CENTRE HOLE AT SHAFT EXTENSION AS PER IS:2540.
 "M12 X 28" FOR 'D'- Ø38
 "M16 X 32" FOR 'D'- Ø42
 6. TERMINAL BOX CAN BE ROTATABLE THROUGH 360° IN STEPS OF 180°.
 7. KEY & KEYWAY ARE AS PER IS:2048 & TOLERANCE ON KEYWAY IS P9.

DETAILS OF MAIN & AUXILIARY SHAFT EXTENSION

TERMINAL BOX ARRANGEMENT



NOTE: MAX. CABLE SIZE : MAIN-2x3Cx16sqmm. FOR 160 FRMAE
 -2x3Cx10sqmm. FOR 132 FRMAE

Sl.No.	FRAME	A	B	C	D	E	F	G	H	J
1	ID 132	101	114	55	20	20	40	21	23	50
2	ID 160	150	164	85	25.4	32	59	27	36.5	60

ITEM/TAG No.			
RATING			
CABLE SIZE			
O/A NO.:		CUSTOMER :	
PROJECT :		CONSULTANT :	JOB No. :

SL. NO.	FRAME	A	AA	AB	ØAC	B	BA	BB	C	CA	D	E	F	GA	GD	H	HA	HC	HD	ØK	L	LC
1	ID132M	216	40	256	264	178	40	218	89	288	38	80	10	41	8	132	12	262	320	12	633	715
2	ID160M	254	60	314	318	210	60	270	108	330	42	110	12	45	8	160	14	310	410	15	756	868
3	ID160L					254		314													800	912

Z122651200JR

SURFACE ROUGHNESS (MAX) AS PER KSD-02-027
 R_a µm 50 12.5 25 1.6 3.2 6.3 1 0.2 0.4 0.8 0.8 0.025 0.05 0.1
 OLD NEW
 UNMENTIONED R_a µm
 UC: CHAM:

REV.	ZONE	DCN.No.	BRIEF RECORD	SIGNATURE	DATE	PRINTS ISSUED TO
2	--	0122209	REDRAWN IN A NEW FORMAT.	Sd/-	22.01.09	Q.A MMD
1	A 3,7	1552299	FRAME DESIGNATION WAS COW CHANGED TO ID.	VSI	09.06.99	PRODUCTION

THIS SUPERSEDES FROM dt AS PER DCN No.....
 THIS SUPERSEDED BY FROM dt AS PER DCN No.....

MATERIAL SPECIFICATION	RAW MATERIAL SIZE	WEIGHT kg	SCALE	
		RM FIN.		
		- -		

CASTING/FAB REF. --- No.P.S.-
 USED ON ID132 & 160
 TOP T.B WITH CYLINDRICAL EXTN.

REDRAWN	CHECKED	STANDARD	APPROVED
Sd/-	Sd/-	Sd/-	Sd/-
dt22/01/2009	dt22/01/2009	dt22/01/2009	dt22/01/2009

TITLE: DIMENSION SHEET
 32265198R2
 SHEET ONE OF ONE

KIRLOSKAR ELECTRIC COMPANY LTD. HUBLI-580030 (INDIA)

FORM No. 02 201 02B (ISSUE 7)