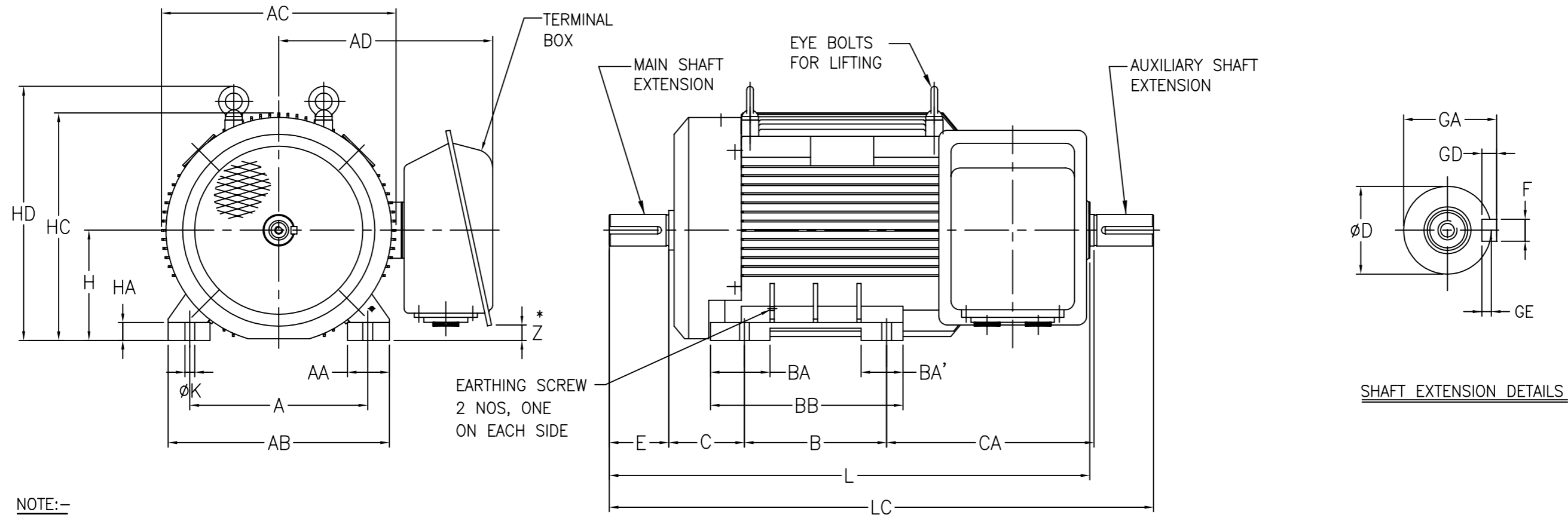


IF IN DOUBT ASK..... M.M.E.

DO NOT SCALE THE DRAWING

ALL DIMENSIONS ARE IN mm UNLESS OTHERWISE STATED



**NOTE:-**

1. TOLERANCE ON 'H'. +0.0 / -1.0
2. TOLERANCE ON "D" : m6.
3. DIMENSIONS ARE AS PER IS:1231.
4. TERMINAL BOX CAN BE ROTATED THROUGH 360° IN STEPS OF 90°.
5. DEGREE OF PROTECTION IP:55.
6. PROTECTED CENTER HOLE WILL BE AS PER IS:2540 AT BOTH SHAFT EXTENSIONS.
7. MAIN & AUXILIARY SHAFT EXTENSIONS ARE IDENTICAL.
- \*8. FOR FRAME 315 T.BOX WILL EXTEND BELOW THE FOOT LEVEL.

ID315M	508	457	216	80	170	22	85	14	9	315	28	1425	1605	120	632	675	625	170	120	550	592	51	655	730	-15	1550	1750	1800	1170	940
ID315S	508	406	216	80	170	22	85	14	9	315	28	1375	1555	120	632	675	625	170	120	550	593	51	655	730	-15	1500	1700	1750	1170	940
FRAME	A	B	C	D	E	F	GA	GD	GE	H	K	L	LC	AA	AB	AC	AD	BA	BA'	BB	CA	HA	HC	HD	Z	NETT	GROSS	Ln	Br	Ht
																										WEIGHT IN kg		SHIPPING DIMNS.		

REV.				ZONE				BRIEF RECORD				SIGNATURE		DATE		CUSTOMER / O/A No.				SCALE N.T.S.				DRAWN Sd/SPF 20/04/06		
																FOR QUOTATION ONLY				CHECKED Sd/HCR 20/04/06						
																USED ON / TYPE CRANE DUTY MOTORS SIDE TERMINAL BOX - LHS FROM NDE (IM1002)				APPROVED Sd/BVS 20/04/06						
PP & MM				ALL INFORMATION CONTAINED IN THIS DOCUMENT IS CONFIDENTIAL AND THE PROPERTY OF KIRLOSKAR ELECTRIC CO. LTD. REPRODUCTION OF THESE IN ANY FORM IS TO BE DONE WITH THE SPECIFIC PERMISSION OF THE COMPANY.				THIS SUPERSEDES				DRAWING No.		FROM DT.		SIGN & DATE.		TITLE: DIMENSIONAL DRAWING				31103606				
MKTG. AC M				THIS IS SUPERSEDED BY																SHEET NO. ONE OF ONE						
PRINTS ISSUED TO																KIRLOSKAR ELECTRIC COMPANY LTD. BANGALORE - 560055 (INDIA)										

FORM No. 11401038