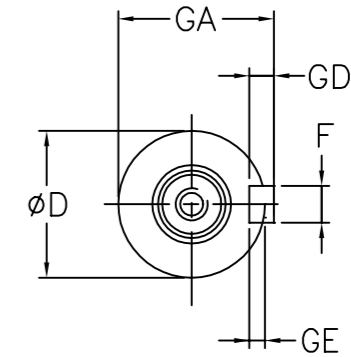
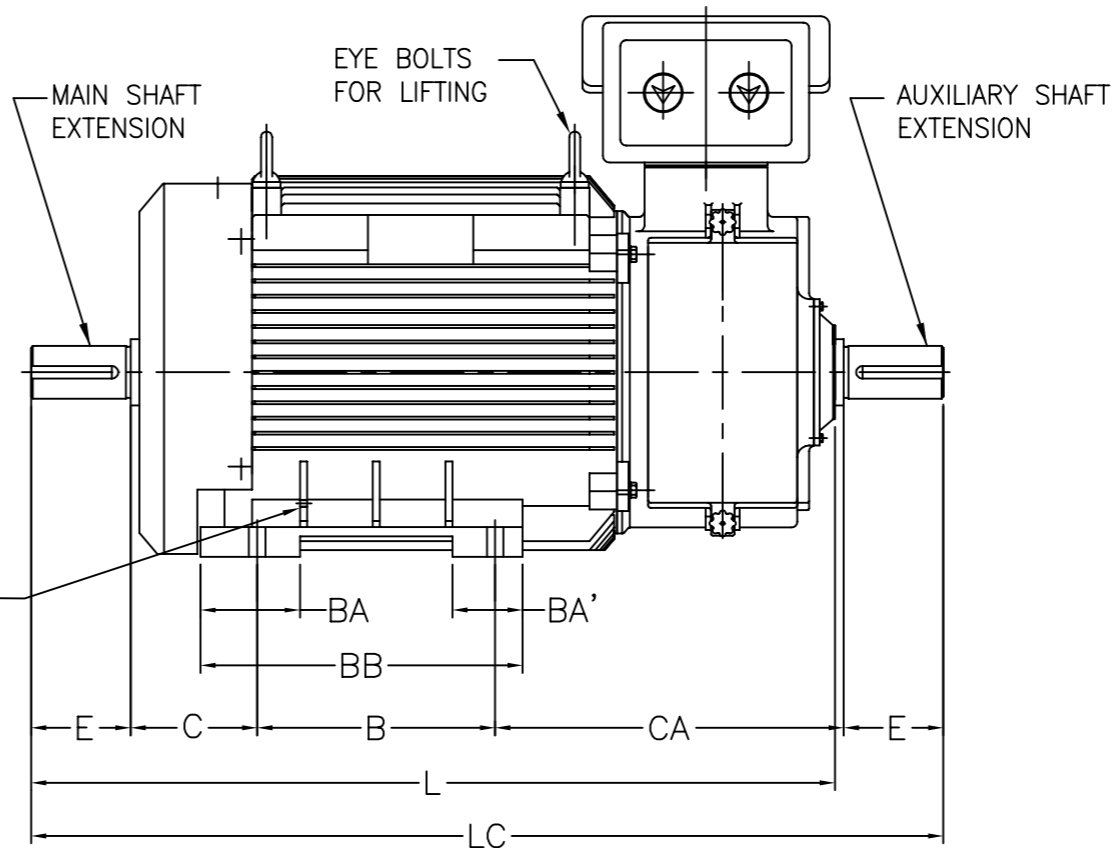
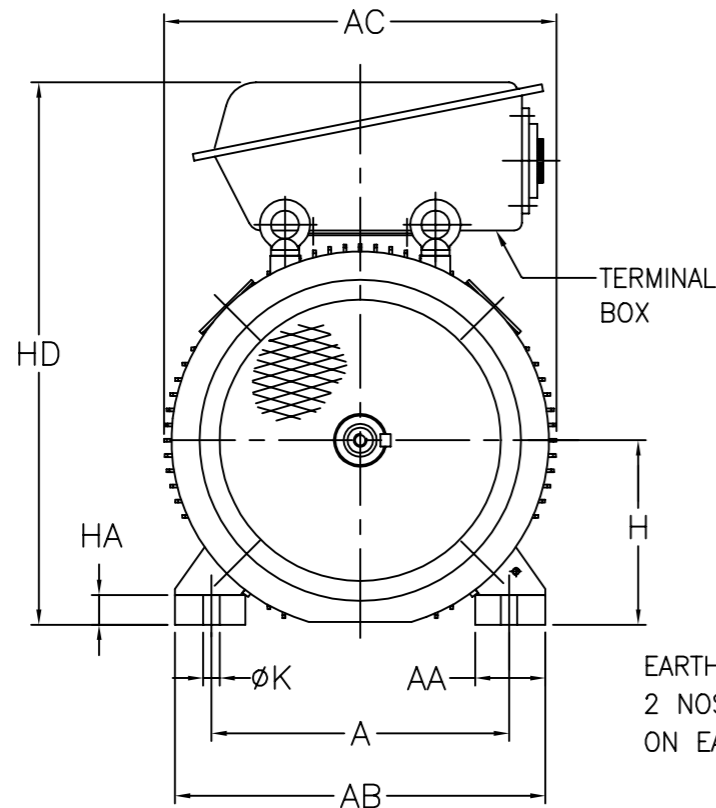


IF IN DOUBT ASK..... **M.M.E.**

DO NOT SCALE THE DRAWING

ALL DIMENSIONS ARE IN mm UNLESS OTHERWISE STATED



SHAFT EXTENSION DETAILS

NOTE:-

1. TOLERANCE ON 'H' : +0.0 / -1.0
2. TOLERANCE ON "D" : m6.
3. DIMENSIONS ARE AS PER IS:1231.
4. TERMINAL BOX CAN BE ROTATED THROUGH 360° IN STEPS OF 90°.
5. DEGREE OF PROTECTION IP:55.
6. PROTECTED CENTER HOLE WILL BE AS PER IS:2540 AT BOTH SHAFT EXTENSIONS.
7. MAIN & AUXILIARY SHAFT EXTENSIONS ARE IDENTICAL.

ID315M	508	457	216	80	170	22	85	14	9	315	28	1425	1605	120	632	170	120	550	675	592	51	940	1550	1750	1800	900	1150
ID315S	508	406	216	80	170	22	85	14	9	315	28	1375	1555	120	632	170	120	550	675	593	51	940	1500	1700	1750	900	1150
FRAME	A	B	C	D	E	F	GA	GD	GE	H	K	L	LC	AA	AB	BA	BA'	BB	AC	CA	HA	HD	NETT	GROSS	Ln	Br	Ht
																							WEIGHT IN kg		SHIPPING DIMNS.		

										CUSTOMER / O/A No. FOR QUOTATION ONLY										SCALE N.T.S.		DRAWN Sd/SPF 20/04/06					
										USED ON / TYPE CRANE DUTY MOTORS (IM1002)												CHECKED Sd/HCR 20/04/06					
										TITLE: DIMENSIONAL DRAWING												APPROVED Sd/BVS 20/04/06			31103206		
REV.		ZONE		BRIEF RECORD					SIGNATURE		DATE		SHEET NO. ONE OF ONE										KIRLOSKAR ELECTRIC COMPANY LTD. BANGALORE - 560055 (INDIA)				
PP & MM		ALL INFORMATION CONTAINED IN THIS DOCUMENT IS CONFIDENTIAL AND THE PROPERTY OF KIRLOSKAR ELECTRIC CO. LTD. REPRODUCTION OF THESE IN ANY FORM IS TO BE DONE WITH THE SPECIFIC PERMISSION OF THE COMPANY.										DRAWING No.		FROM DT.		SIGN & DATE.											
MKTG. AC M		THIS SUPERSEDES										---		---		---											
PRINTS ISSUED TO		THIS IS SUPERSEDED BY										---		---		---											

FORM No. 11401038