



Technical

Data for Crane Range (KS-Series) Slipring Motors



Motors for the Long Run!



CONTENTS

	<i>Page</i>
Data for 6 Pole – S3 / 6 Starts / Hr Duty (Table 6.1)	1 & 2
Data for 6 Pole – S4 & S5 / 150 Starts / Hr Duty (Table 6.2)	3 & 4
Data for 6 Pole – S4 & S5 / 300 Starts / Hr Duty (Table 6.3)	5 & 6
Data for 6 Pole – S4 & S5 / 600 Starts / Hr Duty (Table 6.4)	7 & 8
Data for 8 Pole – S3 / 6 Starts / Hr Duty (Table 8.1)	9 & 10
Data for 8 Pole – S4 & S5 / 150 Starts / Hr Duty (Table 8.2)	11 & 12
Data for 8 Pole – S4 & S5 / 300 Starts / Hr Duty (Table 8.3)	13 & 14
Data for 8 Pole – S4 & S5 / 600 Starts / Hr Duty (Table 8.4)	15 & 16
Data for 10 Pole – S3 / 6 Starts / Hr Duty (Table 10.1)	17
Data for 10 Pole – S4 & S5 / 150 Starts / Hr Duty (Table 10.2)	18
Data for 10 Pole – S4 & S5 / 300 Starts / Hr Duty (Table 10.3)	19
Data for 10 Pole – S4 & S5 / 600 Starts / Hr Duty (Table 10.4)	20
GA Drawing for Frames KS112M / KS132M / KS160M / KS160L	21
GA Drawing for Frames KS180L / KS200L	22
GA Drawing for Frames KS225S / KS225M / KS250S / KS250M	23
GA Drawing for Frames KS280S / KS280M / KS315S / KS315M	24
GA Drawing for Frames KS355S / KS355M / KS355L / KS400L / KS450L	25
GA Drawing for Frames KS500L	26
GA Drawing for Frames KS500LX	27
GA Drawing for Frames KS560LX	28

SUPPLY CONDITION 3 PHASE
415V +/-10%
50 C/S +/-3% AMBIENT TEMP. 45°C

DUTY : S3, STARTING CLASS 6 STARTS/HR

Table 6.1

6 POLE SLIPRING CRANE DUTY MOTORS-PERFORMANCE FIGURES

Frame Size	CDF 25%						CDF 40%						CDF 60%						CDF 100%						RV	GD2		POT (Nm)	Appro. Wt. (Kg)	Frame Size
	OUTPUT KW	SPEED rpm	POT XFLT	FLC amps	RA	RA	OUTPUT KW	SPEED rpm	POT XFLT	FLC amps	RA	RA	OUTPUT KW	SPEED rpm	POT XFLT	FLC amps	RA	RA	OUTPUT KW	SPEED rpm	POT XFLT	FLC amps	RA	RA		ROTOR Kgm2	LOAD Kgm2			
1	2	3	4	5	6	7	8	9	10	11	12	13	14	15	16	17	18	19	20	21	22	23	24	25	26	27	28	29	30	31
KS112M	2.2	3.0	900	2.5	6.6	11.2	2.0	2.7	910	2.7	8.0	10.2	1.8	2.4	915	3.0	5.6	9.2	1.5	2.0	930	3.6	5.0	7.6	11.5	0.70		55	109	KS112M
KS132MA	3.3	4.4	925	2.0	6.7	14.4	3.0	4.0	935	2.3	7.3	16.0	2.7	3.6	940	2.6	6.7	14.0	2.2	3.0	950	3.1	5.7	11.6	11.5	1.60		69	115	KS132MA
KS132MC	6.5	8.8	930	2.0	15.0	34.5	5.1	6.8	945	2.5	11.8	27.0	4.5	6.0	950	2.8	10.5	24.0	3.7	5.0	957	3.4	9.0	19.7	11.5	2.60		125	129	KS132MC
KS160M1	8.0	10.7	960	2.8	18.0	26.0	7.0	9.4	965	3.2	16.0	23.0	6.0	8.0	968	3.7	14.0	19.5	5.5	7.5	970	4.1	13.5	18.0	18.5	5.40		222	200	KS160M1
KS160M2	8.0	10.7	960	2.8	18.0	26.0	7.0	9.4	965	3.2	16.0	23.0	6.0	8.0	968	3.7	14.0	19.5	5.5	7.5	970	4.1	13.5	18.0	18.5	0.640		222	200	KS160M2
KS160L1	11.5	15.5	960	2.6	23.5	26.0	10.0	13.5	965	3.0	21.0	22.5	8.5	11.5	968	3.6	18.3	19.0	7.5	10.0	972	4.1	16.5	17.0	270	0.870		302	230	KS160L1
KS160L2	11.5	15.5	960	2.6	23.5	26.0	10.0	13.5	967	3.0	21.0	22.5	8.5	11.5	968	3.6	18.3	19.0	7.5	10.0	972	4.1	16.5	17.0	270	0.870		302	230	KS160L2
KS180L1	16.5	22.0	962	3.1	35.0	43.5	14.5	19.5	967	3.5	32.0	38.0	12.5	16.6	970	4.0	26.5	33.0	11.0	15.0	972	4.6	26.1	29.0	230	1.300		540	268	KS180L1
KS180L2	17.0	23.0	962	3.0	36.0	45.0	15.0	20.0	967	3.4	33.0	39.0	13.0	17.5	970	3.9	29.8	34.0	11.0	15.0	972	4.6	26.1	29.0	230	1.300		540	268	KS180L2
KS200L1	23.0	31.0	964	2.7	45.0	53.5	20.0	27.0	967	3.0	40.0	46.8	17.5	23.5	972	3.4	35.5	41.0	15.0	20.0	975	4.0	31.5	35.0	260	2.300		597	375	KS200L1
KS200L2	24.5	33.0	964	2.5	48.0	57.0	23.0	31.0	966	2.7	45.0	53.5	18.0	24.0	972	3.4	36.5	42.0	15.5	21.0	975	4.0	32.5	36.0	260	2.300		606	375	KS200L2
KS225SA	28.0	37.5	968	2.5	57.0	60.0	25.0	33.5	972	2.8	52.0	54.0	22.0	29.5	975	3.2	47.0	47.5	16.5	25.0	977	3.8	42.0	40.0	280	3.100		686	500	KS225SA
KS225SB	30.0	40.0	968	2.7	59.0	65.4	28.5	36.2	975	2.8	57.0	62.0	24.5	33.0	975	3.3	51.0	53.5	20.0	27.0	977	4.0	44.0	44.0	280	3.400		781	515	KS225SB
KS225MA1	34.0	46.0	970	2.5	60.0	66.0	30.0	40.0	975	2.8	61.5	60.0	26.0	35.0	978	3.2	54.0	52.0	22.0	30.0	980	3.8	48.0	44.0	300	3.700		813	535	KS225MA1
KS225MA2	34.0	46.0	970	2.5	68.0	66.0	30.0	40.0	975	2.8	61.5	60.0	26.0	35.0	978	3.2	54.0	52.0	22.0	30.0	980	3.8	48.0	44.0	300	3.700		813	535	KS225MA2
KS225MB	40.0	53.5	972	2.5	78.0	79.5	36.0	48.0	975	2.8	72.0	71.0	31.5	42.2	978	3.2	65.0	63.0	26.0	35.0	982	3.9	58.5	52.0	305	4.300		985	580	KS225MB

SHADED OUTPUTS AS PER IPSS

• Up to frame size 315. For frame sizes above 315 the applicable ambient temp. will be 40°C.

SUPPLY CONDITION 3 PHASE
415V ±10%
50 C/S ±3% AMBIENT TEMP. 45C *

DUTY: S3, STARTING CLASS 6 START/SH

Table 6.1 (Contd.)

6 POLE SLIPRING CRANE DUTY MOTORS-PERFORMANCE FIGURES

Frame Size	CDF 25%										CDF 40%										CDF 60%										CDF 100%				RV	GD2		POT (Nm)	Appro. Wt. (Kg)	Frame Size
	OUTPUT KW		SPEED rpm	POT XFLT	FLC amps	RA	OUTPUT KW		SPEED rpm	POT XFLT	FLC amps	RA	OUTPUT KW		SPEED rpm	POT XFLT	FLC amps	RA	OUTPUT KW		SPEED rpm	POT XFLT	FLC amps	RA	ROTOR LOAD Kgm2	LOAD Kgm2														
	2	3	4	5	6	7	8	9	10	11	12	13	14	15	16	17	18	19	20	21	22	23	24	25			26	27	28	29	30	31								
KS250S	48.0	54.0	57.5	2.7	95.0	101.0	44.0	59.0	978	2.9	88.6	92.8	37.0	50.0	982	3.5	78.0	78.0	30.0	40.0	985	4.3	68.0	63.5	290	5.200	1249	540	KS250S											
KS250M	54.0	72.5	97.5	2.7	105.0	103.0	50.2	67.3	978	2.9	100.0	95.0	43.2	58.0	982	3.4	89.0	82.0	35.0	47.0	985	4.2	78.0	67.0	320	5.700	1423	575	KS250M											
KS280S	72.0	96.5	97.5	2.5	135.0	189.0	63.0	84.5	978	2.8	121.0	165.0	53.5	72.0	981	3.3	107.0	140.0	45.0	60.0	984	3.9	96.0	118.5	230	8.600	1701	980	KS280S											
KS280M1	90.0	120.0	97.5	2.5	169.0	197.0	76.0	102.0	980	2.9	148.0	167.0	67.0	90.0	982	3.9	141.0	147.0	55.0	75.0	985	4.0	120.0	121.0	275	10.900	2130	1040	KS280M1											
KS280M2	90.0	120.0	97.5	2.5	189.0	130.0	76.0	102.0	980	2.9	148.0	112.0	67.0	90.0	982	3.3	141.0	98.0	55.0	75.0	985	4.0	120.0	80.0	410	10.900	2130	1040	KS280M2											
KS315SA	118.0	158.0	97.5	2.4	203.0	189.0	102.0	137.0	981	2.9	175.0	163.0	88.2	118.0	983	3.2	157.0	142.0	75.0	100.0	986	3.8	137.0	123.0	380	16.400	2756	1300	KS315SA											
KS315SB	123.0	165.0	97.9	2.5	211.0	185.0	108.0	142.0	982	3.0	164.0	160.0	92.0	123.5	984	3.4	161.0	139.0	80.0	170.0	986	3.9	148.0	121.0	405	17.500	3017	1330	KS315SB											
KS315MA	140.0	188.0	981	2.7	242.0	184.0	120.0	166.0	983	3.1	210.0	158.0	105.0	140.8	985	3.8	188.0	139.0	90.0	125.0	988	4.2	166.0	119.0	460	19.800	3648	1380	KS315MA											
KS315MB	150.0	200.0	982	2.7	256.0	183.0	134.0	179.0	983	3.0	230.0	164.0	116.0	158.0	986	3.5	204.0	142.0	100.0	135.0	987	4.0	182.0	122.0	500	20.000	3864	1430	KS315MB											
KS355S	170.0	228.0	983	2.4	295.0	368.0	145.0	195.0	985	2.7	255.0	314.0	130.0	173.0	987	3.1	231.0	282.0	110.0	150.0	989	3.6	200.0	240.0	285	39.300	3818	1900	KS355S											
KS355M	200.0	268.0	985	2.6	347.0	350.0	170.0	228.0	987	3.1	299.0	238.0	150.0	205.0	989	3.5	268.0	264.0	132.0	175.0	990	4.0	242.0	232.0	350	44.300	5085	2100	KS355M											
KS355LA	240.0	300.0	987	2.8	414.0	346.0	200.0	268.0	989	3.4	351.0	289.0	180.0	240.0	990	3.8	321.0	260.0	160.0	215.0	991	4.2	291.0	231.0	425	55.000	6466	2380	KS355LA											
KS355LB	270.0	360.0	987	2.8	461.0	349.0	225.0	300.0	989	3.4	390.0	291.0	200.0	268.0	990	3.8	353.0	259.0	180.0	240.0	991	4.3	323.0	234.0	475	61.000	7447	2500	KS355LB											
KS400L	340.0	455.0	986	2.4	590.0	440.0	285.0	385.0	988	2.8	530.0	390.0	275.0	370.0	989	3.0	475.0	378.0	240.0	335.0	990	3.4	420.0	330.0	490	102.00	8280	3100	KS400L											

* Up to frame size 315. For frame sizes above 315 the applicable ambient temp. will be 40°C.

Table 6.2

6 POLE SLIPPING CRANE DUTY MOTORS-PERFORMANCE FIGURES

Frame Size	GDF 25%						GDF 40%						GDF 60%						GDF 100%						RV	G02		POT (Nm)	Appro. Wt. (Kg)	Frame Size		
	OUTPUT KW	SPEED rpm	POT XFLT	FLC amps	RA	OUTPUT KW	SPEED rpm	POT XFLT	FLC amps	RA	OUTPUT KW	SPEED rpm	POT XFLT	FLC amps	RA	OUTPUT KW	SPEED rpm	POT XFLT	FLC amps	RA	OUTPUT KW	SPEED rpm	POT XFLT	FLC amps		RA	ROTOR Kgm2				LOAD Kgm2	
																																2
1	2.0	2.7	910	2.7	6.0	10.2	1.8	2.4	315	3.0	5.6	9.2	1.5	2.0	930	3.6	5.0	7.6	11.5	11.5	1.6	1.9	949	5.0	4.5	5.6	115	.070	1.000	55	109	KS112M
KS132MA	3.0	4.0	935	2.3	7.3	16.0	2.5	3.5	943	2.6	6.4	13.7	2.2	3.0	950	3.1	5.7	11.6	11.5	2.7	2.7	956	3.5	5.2	10.3	115	.160	1.000	69	115	KS132MA	
KS132MC	5.1	6.6	945	2.5	11.6	27.0	4.5	6.0	950	2.8	10.4	24.0	3.7	5.0	957	3.4	9.0	19.7	11.5	4.4	4.4	962	3.6	8.5	17.6	115	.260	1.500	125	129	KS132MC	
KS160M1	7.0	9.4	965	3.2	16.0	23.0	6.0	8.0	968	3.7	14.0	19.5	5.5	7.5	970	4.1	13.5	18.0	185	7.5	7.5	970	4.1	13.5	15.6	185	.640	1.560	222	200	KS160M1	
KS160M2	7.5	10.0	965	2.9	17.0	24.0	6.7	9.0	967	3.3	15.8	21.7	5.5	7.5	970	4.1	13.5	18.0	185	6.4	6.4	973	4.6	12.0	15.6	185	.640	2.400	222	200	KS160M2	
KS160L1	9.5	12.7	965	3.1	20.0	21.5	8.5	11.5	968	3.6	18.0	19.0	7.5	10.0	972	4.1	16.5	17.0	270	10.0	7.5	972	4.1	16.5	14.5	270	.670	2.130	302	230	KS160L1	
KS160L2	10.5	14.0	965	2.8	21.5	25.5	9.0	12.0	968	3.3	19.0	20.0	7.5	10.0	972	4.1	16.5	17.0	270	8.8	6.5	977	4.6	15.0	14.5	270	.670	2.130	302	230	KS160L2	
KS180L1	14.0	18.8	967	3.6	31.0	36.5	12.5	16.8	970	4.0	28.5	33.0	11.0	15.0	972	4.6	26.0	26.0	230	12.7	9.5	977	5.3	25.5	25.0	230	1.300	3.100	540	258	KS180L1	
KS180L2	14.5	19.5	967	3.5	32.0	38.0	13.5	18.0	970	3.8	29.0	35.0	11.0	15.0	972	4.6	26.0	26.0	230	12.7	9.5	977	5.3	25.5	25.0	230	1.300	4.000	540	258	KS180L2	
KS200L1	19.0	25.5	967	3.1	37.5	44.0	17.0	23.0	972	3.5	34.0	39.5	15.0	20.0	975	4.0	31.5	35.0	300	20.0	15.0	977	5.3	25.5	25.0	300	2.300	3.800	587	375	KS200L1	
KS200L2	22.2	29.8	967	2.7	43.5	51.5	17.5	23.5	972	3.4	35.5	41.0	15.5	21.0	975	4.0	32.5	36.0	300	17.5	13.0	978	4.6	26.5	30.0	300	2.500	6.800	606	375	KS200L2	
KS225SA	25.0	33.5	972	2.8	52.0	54.0	22.0	29.5	975	3.2	47.0	47.5	18.5	25.0	977	3.8	42.0	40.0	280	21.5	16.0	980	4.4	36.0	34.0	280	3.100	7.200	666	500	KS225SA	
KS225SB	28.5	38.2	972	2.8	57.0	62.0	24.5	33.0	975	3.3	51.0	53.5	20.0	27.0	977	4.0	44.0	44.0	280	23.5	17.5	980	4.5	40.6	38.5	280	3.400	7.600	783	515	KS225SB	
KS225MA1	28.0	37.5	975	3.0	58.0	56.0	25.0	33.5	978	3.2	52.0	50.0	22.0	29.5	980	3.8	48.0	44.0	300	25.5	19.0	982	4.4	44.0	38.0	300	3.700	5.900	821	515	KS225MA1	
KS225MA2	36.0	40.0	975	2.8	61.5	60.0	26.0	35.0	978	3.2	54.0	52.0	22.0	29.5	980	3.8	48.0	44.0	300	25.5	19.0	982	4.4	44.0	38.0	300	3.700	8.000	821	535	KS225MA2	
KS225MB	34.5	46.5	978	2.8	63.0	68.5	31.0	41.5	978	3.2	64.0	62.0	28.0	35.0	982	3.9	56.5	52.0	305	30.0	22.5	984	4.5	52.0	45.0	305	4.300	9.300	986	560	KS225MB	

SHADED OUTPUTS AS PER IPSS

* Up to frame size 315. For frame sizes above 315 the applicable ambient temp. will be 40°C.

SUPPLY CONDITION 3 PHASE
415V +/-10%

DUTY : S4 & S5, STARTING CLASS 150 STARTS/Hr

Table 6.2 (Contd.)

6 POLE SLIPRING CRANE DUTY MOTORS-PERFORMANCE FIGURES

50 C/S +/-3% AMBIENT TEMP. 40C*

Frame Size	CDF 25%						CDF 40%						CDF 50%						CDF 100%						RV	GD2		POT (Nm)	Appro. Wt. (Kg)	Frame Size
	OUTPUT KW	SPEED rpm	POT XFLT	FLC amps	RA	RA	OUTPUT KW	SPEED rpm	POT XFLT	FLC amps	RA	RA	OUTPUT KW	SPEED rpm	POT XFLT	FLC amps	RA	RA	OUTPUT KW	SPEED rpm	POT XFLT	FLC amps	RA	RA		ROTOR Kgm2	LOAD Kgm2			
KS250S	40.0	53.5	960	3.2	82.0	84.0	36.0	48.0	982	3.6	76.0	76.0	30.0	40.0	985	4.3	68.0	63.5	26.0	35.0	967	5.0	63.0	55.0	290	5.200	10.400	1249	640	KS250S
KS250M	46.5	62.0	980	3.2	95.0	88.0	42.0	56.0	982	3.5	88.0	80.0	35.0	47.0	985	4.2	78.0	67.0	31.0	41.5	987	4.7	70.0	55.5	320	5.700	11.200	1423	675	KS250M
KS280S	61.5	82.0	979	2.8	120.0	161.0	53.5	72.0	982	3.3	107.0	142.0	45.0	60.0	984	3.9	98.0	118.5	40.0	53.5	986	4.3	98.0	105.0	230	8.600	13.200	1701	960	KS280S
KS280M1	76.0	102.0	980	2.9	148.0	167.0	66.5	89.0	981	3.3	141.0	145.0	55.0	75.0	985	4.0	120.0	121.0	49.0	65.7	986	4.5	115.0	108.0	275	10.500	14.200	2130	1040	KS280M1
KS280M2	76.0	102.0	980	2.9	148.0	112.0	66.5	89.0	981	3.3	141.0	94.0	55.0	75.0	985	4.0	120.0	80.0	49.0	65.7	986	4.5	115.0	71.3	410	10.900	14.200	2130	1040	KS280M2
KS315SA	102.0	137.0	981	2.9	176.0	163.0	90.0	120.0	982	3.2	158.0	144.0	75.0	100.0	986	3.8	137.0	120.0	66.0	88.0	986	4.4	125.0	106.0	360	16.400	15.000	2756	1300	KS315SA
KS315SB	107.0	144.0	982	2.9	166.0	161.0	90.0	126.0	982	3.3	163.0	140.0	80.0	107.0	986	3.9	146.0	121.0	70.0	94.0	988	4.4	130.0	106.0	405	17.500	16.000	3017	1330	KS315SB
KS315MA	122.0	164.0	982	3.0	213.0	160.0	107.0	144.0	984	3.5	192.0	141.0	90.0	120.0	988	4.2	166.0	119.0	80.0	107.0	988	4.7	152.0	106.0	460	19.800	18.000	3648	1380	KS315MA
KS315MB	134.0	179.0	983	3.0	230.0	184.0	116.0	156.0	984	3.5	204.0	142.0	100.0	135.0	987	4.0	182.0	122.0	88.0	117.9	989	4.6	164.0	108.0	500	20.000	21.000	3864	1430	KS315MB
KS355S	145.0	195.0	965	2.7	255.0	314.0	125.0	168.0	988	3.2	223.0	271.0	110.0	150.0	989	3.6	200.0	240.0	95.0	127.0	989	4.1	179.0	207.0	285	39.300	25.000	3818	1900	KS355S
KS355M	170.0	228.0	987	3.1	296.0	296.0	155.0	210.0	987	3.5	268.0	263.0	132.0	175.0	990	4.0	242.0	232.0	110.0	150.0	990	4.8	210.0	194.0	350	44.300	38.000	5086	2100	KS355M
KS355LA	205.0	275.0	989	3.3	356.0	296.0	185.0	250.0	989	3.7	328.0	267.0	160.0	215.0	991	4.2	291.0	231.0	135.0	180.0	992	5.0	256.0	193.0	425	55.000	43.000	6466	2380	KS355LA
KS355LB	230.0	310.0	989	3.3	397.0	296.0	205.0	275.0	990	3.7	362.0	265.0	180.0	240.0	991	4.3	323.0	234.0	155.0	210.0	992	4.9	294.0	207.0	475	61.000	46.500	7447	2500	KS355LB
KS400L	295.0	395.0	988	2.8	530.0	406.0	275.0	370.0	989	3.0	475.0	378.0	240.0	335.0	990	3.4	420.0	330.0	200.0	275.0	992	4.1	355.0	275.0	490	102.00	75.000	8280	3100	KS400L

* Up to frame size 315. For frame sizes above 315 the applicable ambient temp. will be 40°C.

SUPPLY CONDITION 3 PHASE
415V ±10%

DUTY : S4 & S5, STARTING CLASS 300 START/SHR 50 C/S ±3% AMBIENT TEMP. 45°C*

Table 6.3

6 POLE SLIPRING CRANE DUTY MOTORS-PERFORMANCE FIGURES

Frame Size	CDF 25%						CDF 40%						CDF 60%						CDF 100%						RV	GD2 ROTOR Kgm2	LOAD Kgm2	POT (Nm)	Appro Wt. (Kg)	Frame Size
	OUTPUT KW	SPEED rpm	POT XFLT	FLC amps	RA	RA	OUTPUT KW	SPEED rpm	POT XFLT	FLC amps	RA	RA	OUTPUT KW	SPEED rpm	POT XFLT	FLC amps	RA	RA	OUTPUT KW	SPEED rpm	POT XFLT	FLC amps	RA	RA						
	HP	HP	HP	amps	Ω	Ω	HP	HP	HP	amps	Ω	Ω	HP	HP	HP	amps	Ω	Ω	HP	HP	HP	amps	Ω	Ω						
1	2	3	4	5	6	7	8	9	10	11	12	13	14	15	16	17	18	19	20	21	22	23	24	25	26	27	28	29	30	31
KS112M	1.8	2.4	3.15	3.0	5.6	9.2	1.5	2.0	3.0	3.6	5.0	7.6	1.1	1.5	949	5.0	4.5	5.6							115	.070	.600	55	109	KS112M
KS132MA	2.6	3.5	943	2.6	6.4	13.7	2.2	3.0	960	3.1	5.7	11.6	2.0	2.7	956	3.5	5.2	10.3							115	.160	.600	69	115	KS132MA
KS132MC	4.5	6.0	950	2.8	10.5	24.0	3.7	5.0	957	3.4	9.1	19.7	3.3	4.4	962	3.8	8.5	17.6							115	.260	1.000	125	129	KS132MC
KS160M1							5.5	7.5	970	4.1	13.5	18.0	5.0	6.7	972	4.4	12.5	16.3							185	.640	1.560	222	200	KS160M1
KS160M2	6.7	9.0	967	3.3	13.6	21.7	5.5	7.5	970	4.1	13.6	18.0	5.0	6.7	972	4.4	12.5	16.3							185	.640	1.600	222	200	KS160M2
KS160L1							7.0	9.4	972	4.4	15.7	15.8	6.5	8.8	977	4.6	15.0	14.5							270	.870	2.130	302	230	KS160L1
KS160L2	9.0	12.0	988	3.3	19.0	20.0	7.5	10.0	972	4.1	16.5	17.0	6.5	8.8	977	4.6	15.0	14.5							270	.870	2.200	302	230	KS160L2
KS180L1							10.5	14.0	972	4.7	25.0	27.5	9.5	12.7	977	5.3	25.5	25.0							230	1.300	3.100	540	258	KS180L1
KS180L2	12.5	16.8	970	4.0	26.5	33.0	11.0	15.0	972	4.6	26.0	29.0	9.5	12.7	977	5.3	25.0	25.0							230	1.300	3.200	540	258	KS180L2
KS200L1							14.0	18.8	976	4.0	29.5	32.5	13.0	17.5	976	4.6	28.5	30.0							260	2.300	3.800	587	375	KS200L1
KS200L2	17.5	23.5	972	3.4	35.5	41.0	15.0	20.0	975	4.0	31.5	36.0	13.0	17.5	976	4.6	28.5	30.0							260	2.300	4.530	606	375	KS200L2
KS225SA	22.0	29.5	975	3.2	47.0	47.5	18.5	25.0	977	3.8	42.0	40.0	16.0	21.5	983	4.4	39.0	34.0							280	3.100	4.800	686	500	KS225SA
KS225SB	24.5	33.0	975	3.3	51.0	53.5	20.0	27.0	977	4.0	44.0	44.0	18.0	24.0	982	4.4	41.5	39.5							280	3.400	5.100	781	515	KS225SB
KS225MA1							21.0	28.0	980	4.0	46.0	42.0	19.0	25.5	982	4.4	44.0	38.0							300	3.700	5.300	813	535	KS225M1
KS225MA2	26.0	35.0	978	3.2	54.0	52.0	23.0	31.0	980	3.6	51.0	46.0	19.0	25.5	982	4.4	44.0	38.0							300	3.700	5.300	813	535	KS225MA2
KS225MB	31.0	41.5	978	3.2	64.0	62.0	26.0	35.0	982	3.9	56.5	52.0	22.0	29.5	984	4.6	51.0	44.0							305	4.300	6.200	985	560	KS225MB

SHADED OUTPUTS AS PER IPSS.

* Upto frame size 315. For frame sizes above 315 the applicable ambient temp. will be 40°C.

SUPPLY CONDITION 3 PHASE
415V ±1-10%
50 C/S ±3% AMBIENT TEMP. 45°C

DUTY: S4 & S5, STARTING CLASS 300 STARTS/HR

Table 6.3 (Contd.)

6 POLE SLIPRING CRANE DUTY MOTORS-PERFORMANCE FIGURES

Frame Size	GDF 25%						GDF 40%						GDF 60%						GDF 100%						RV	GSD		POT (Nm)	Appro. Wt. (Kg)	Frame Size
	OUTPUT KW		SPEED rpm	POT XFLT	FLC amps	RA	OUTPUT KW		SPEED rpm	POT XFLT	FLC amps	RA	OUTPUT KW		SPEED rpm	POT XFLT	FLC amps	RA	OUTPUT KW		SPEED rpm	POT XFLT	FLC amps	RA		ROTOR Kgm ²	LOAD Kgm ²			
	2	3	4	5	6	7	8	9	10	11	12	13	14	15	16	17	18	19	20	21	22	23	24	25						
KS250S	36.0	48.0	983	3.6	76.0	78.0	30.0	40.0	985	4.3	69.0	69.5	26.0	35.0	987	5.0	63.0	55.0							290	5.200	6.930	1249	640	KS250S
KS250M	42.0	56.0	983	3.5	88.0	80.0	35.0	47.0	985	4.2	78.0	67.0	31.0	41.5	987	4.7	70.5	55.5							320	5.700	7.500	1423	675	KS250M
KS280S	53.5	72.0	981	3.3	107.0	140.0	45.0	60.0	984	3.9	96.0	118.5	41.0	55.0	986	4.2	96.0	108.0							230	8.600	8.800	1701	980	KS280S
KS280M1	66.5	89.0	982	3.3	141.0	146.0	55.0	75.0	985	4.0	120.0	121.0	51.0	68.0	986	4.3	117.0	112.0							275	10.900	9.600	2130	1040	KS280M1
KS280M2	66.5	89.0	982	3.3	141.0	94.0	55.0	75.0	985	4.0	120.0	80.0	51.0	68.0	986	4.3	117.0	75.0							410	10.900	9.600	2130	1040	KS280M2
KS315SA	90.0	120.0	982	3.2	158.0	144.0	75.0	100.0	986	3.8	137.0	120.0	66.0	88.0	987	4.4	125.0	106.0							980	16.400	10.000	2756	1300	KS315SA
KS315SB	95.0	127.0	984	3.3	166.0	143.0	80.0	107.0	986	3.9	146.0	121.0	72.0	96.5	988	4.3	133.0	109.0							405	17.500	10.700	3017	1330	KS315SB
KS315MA	106.0	142.0	985	3.6	190.0	140.0	90.0	125.0	988	4.2	166.0	119.0	80.0	107.0	989	4.7	162.0	106.0							460	19.800	12.000	3648	1380	KS315MA
KS315MB	116.0	156.0	986	3.5	204.0	142.0	100.0	135.0	987	4.0	182.0	122.0	90.0	120.0	989	4.5	167.0	110.0							500	20.000	14.000	3864	1430	KS315MB
KS355S	125.0	168.0	987	3.2	223.0	271.0	110.0	150.0	989	3.6	200.0	240.0	95.0	127.0	990	4.1	179.0	207.0							285	39.300	16.700	3818	1900	KS355S
KS355M	150.0	200.0	989	3.5	266.0	264.0	132.0	175.0	990	4.0	242.0	232.0	110.0	150.0	992	4.8	210.0	194.0							350	44.300	25.400	5085	2100	KS355M
KS355LA	180.0	240.0	990	3.8	321.0	260.0	160.0	215.0	991	4.2	291.0	231.0	135.0	180.0	992	5.0	256.0	193.0							425	55.000	28.700	6466	2380	KS355LA
KS355LB	205.0	275.0	990	3.7	362.0	265.0	180.0	240.0	991	4.3	323.0	234.0	157.0	211.0	992	4.8	291.0	205.0							475	61.000	31.000	7447	2500	KS355LB
KS400L	275.0	370.0	989	3.0	475.0	378.0	240.0	335.0	990	3.4	420.0	330.0	200.0	275.0	992	4.1	355.0	275.0							490	102.00	50.000	8280	3100	KS400L

* Up to frame size 315. For frame sizes above 315 the applicable ambient temp. will be 40°C.

SUPPLY CONDITION 3 PHASE
415V +/-10%

DUTY : S4 & S5, STARTING CLASS 600 STARTSHr

Table 6.4

6 POLE SLIPRING CRANE DUTY MOTORS-PERFORMANCE FIGURES

50 C/S +/-3% AMBIENT TEMP. 40C*

Frame Size	CDF 25%						CDF 40%						CDF 60%						CDF 100%						RV	GD2		POT (Nm)	Appro Wt. (Kg)	Frame Size
	OUTPUT KW	SPEED rpm	POT XFLT	FLC amps	RA	OUTPUT KW	SPEED rpm	POT XFLT	FLC amps	RA	OUTPUT KW	SPEED rpm	POT XFLT	FLC amps	RA	OUTPUT KW	SPEED rpm	POT XFLT	FLC amps	RA	ROTOR Kgm2	LOAD Kgm2								
																							HP	HP		HP	HP			
1	2	3	4	5	6	7	8	9	10	11	12	13	14	15	16	17	18	19	20	21	22	23	24	25	26	27	28	29	30	31
KS112M	1.2	1.6	948	4.5	4.8	6.1	1.2	1.6	948	4.5	4.8	6.1	1.0	1.4	950	5.4	4.0	5.2							115	.070	.600	55	109	KS112M
KS132MA	2.2	3.0	952	3.1	5.7	11.6	2.0	2.7	956	3.4	5.4	10.6	1.8	2.4	959	3.8	5.0	9.5							115	.160	.800	69	115	KS132MA
KS132MC	3.6	4.8	959	3.5	8.8	19.1	3.3	4.4	963	3.8	7.8	17.4	3.0	4.0	967	4.2	7.5	16.0							115	.260	1.000	125	129	KS132MC
KS160M1																									185	.640		222	200	KS160M1
KS160M2	4.6	6.2	968	4.8	11.8	15.0	4.2	5.6	980	5.2	11.4	13.7	3.9	982	5.6	10.5	12.7								185	.640	1.600	222	200	KS160M2
KS160L1																									270	.870		302	230	KS160L1
KS160L2	6.0	8.0	978	5.0	13.6	13.6	5.7	7.6	979	5.2	13.0	12.8	5.2	7.0	980	5.5	12.0	12.0							270	.870	2.200	302	230	KS160L2
KS160L1																									230	1.300		540	256	KS160L1
KS160L2	8.7	11.6	979	5.8	24.0	23.0	8.3	11.1	980	6.0	23.0	22.0	7.6	10.4	981	6.4	22.7	21.0							230	1.300	3.200	540	255	KS160L2
KS200L1																									260	2.300		567	375	KS200L1
KS200L2	10.5	14.0	981	5.3	25.6	24.7	10.2	13.7	982	5.4	25.0	24.0	9.6	13.1	983	5.6	24.0	23.0							260	2.300	4.530	606	375	KS200L2
KS225SA	14.2	19.0	983	4.5	37.0	31.0	13.2	17.7	984	4.7	36.0	30.0	12.5	16.8	985	5.2	33.0	27.0							260	3.100	4.800	686	500	KS225SA
KS225SB	15.5	21.0	980	4.1	36.3	34.0	14.6	19.6	981	4.4	34.0	32.0	13.8	18.5	982	4.6	32.3	30.2							280	3.400	5.100	781	515	KS225SB
KS225MA1																									300	3.700		813	535	KS225MA1
KS225MA2	19.2	26.8	983	4.2	46.8	38.7	17.6	23.6	984	4.6	43.0	35.4	16.8	22.5	985	4.8	41.0	33.8							300	3.700	5.300	813	535	KS225MA2
KS225MB	21.0	28.0	985	4.7	49.0	42.0	19.6	26.3	986	5.0	45.0	39.0	18.5	25.0	987	5.3	42.0	36.6							305	4.300	6.200	865	560	KS225MB

* Up to frame size 315. For frame sizes above 315 the applicable ambient temp. will be 40°C.

SUPPLY CONDITION 3 PHASE
415V +/-10%
50 C/S +/-3% AMBIENT TEMP. 40C*

DUTY : S4 & S5, STARTING CLASS 600 STARTSH#

Table 6.4 (Contd.)

6 POLE SLIPRING CRANE DUTY MOTORS-PERFORMANCE FIGURES

Frame Size	CDF 25%						CDF 40%						CDF 50%						CDF 100%						RV	GD2		POT (Nm)	Appro. Wt. (Kg)	Frame Size
	OUTPUT KW	SPEED rpm	POT XFLT	FLC amps	RA	RA	OUTPUT KW	SPEED rpm	POT XFLT	FLC amps	RA	RA	OUTPUT KW	SPEED rpm	POT XFLT	FLC amps	RA	RA	OUTPUT KW	SPEED rpm	POT XFLT	FLC amps	RA	RA		ROTOR Kgm2	LOAD Kgm2			
1	2	3	4	5	6	7	8	9	10	11	12	13	14	15	16	17	18	19	20	21	22	23	24	25	26	27	28	29	30	31
KS250S	24.0	32.0	36.7	40.0	43.0	46.0	49.0	52.0	55.0	58.0	61.0	64.0	67.0	70.0	73.0	76.0	79.0	82.0	85.0	88.0	91.0	94.0	97.0	100.0	104.0	108.0	112.0	116.0	120.0	124.0
KS250M	30.0	40.0	46.7	53.0	60.0	67.0	74.0	81.0	88.0	95.0	102.0	109.0	116.0	123.0	130.0	137.0	144.0	151.0	158.0	165.0	172.0	179.0	186.0	193.0	200.0	207.0	214.0	221.0	228.0	235.0
KS280S	34.0	46.0	53.3	60.0	67.0	74.0	81.0	88.0	95.0	102.0	109.0	116.0	123.0	130.0	137.0	144.0	151.0	158.0	165.0	172.0	179.0	186.0	193.0	200.0	207.0	214.0	221.0	228.0	235.0	242.0
KS280M1	44.5	59.6	69.3	79.0	88.7	98.4	108.1	117.8	127.5	137.2	146.9	156.6	166.3	176.0	185.7	195.4	205.1	214.8	224.5	234.2	243.9	253.6	263.3	273.0	282.7	292.4	302.1	311.8	321.5	331.2
KS280M2	44.5	59.6	69.3	79.0	88.7	98.4	108.1	117.8	127.5	137.2	146.9	156.6	166.3	176.0	185.7	195.4	205.1	214.8	224.5	234.2	243.9	253.6	263.3	273.0	282.7	292.4	302.1	311.8	321.5	331.2
KS315SA	57.0	76.4	89.7	103.0	116.3	129.6	142.9	156.2	169.5	182.8	196.1	209.4	222.7	236.0	249.3	262.6	275.9	289.2	302.5	315.8	329.1	342.4	355.7	369.0	382.3	395.6	408.9	422.2	435.5	448.8
KS315SB	62.0	83.0	97.3	111.6	125.9	140.2	154.5	168.8	183.1	197.4	211.7	226.0	240.3	254.6	268.9	283.2	297.5	311.8	326.1	340.4	354.7	369.0	383.3	397.6	411.9	426.2	440.5	454.8	469.1	483.4
KS315MA	66.0	88.0	103.3	118.6	133.9	149.2	164.5	179.8	195.1	210.4	225.7	241.0	256.3	271.6	286.9	302.2	317.5	332.8	348.1	363.4	378.7	394.0	409.3	424.6	439.9	455.2	470.5	485.8	501.1	516.4
KS315MB	68.0	91.0	107.3	123.6	139.9	156.2	172.5	188.8	205.1	221.4	237.7	254.0	270.3	286.6	302.9	319.2	335.5	351.8	368.1	384.4	400.7	417.0	433.3	449.6	465.9	482.2	498.5	514.8	531.1	547.4
KS355S	71.0	95.0	112.3	129.6	146.9	164.2	181.5	198.8	216.1	233.4	250.7	268.0	285.3	302.6	319.9	337.2	354.5	371.8	389.1	406.4	423.7	441.0	458.3	475.6	492.9	510.2	527.5	544.8	562.1	579.4
KS355M	73.0	96.0	113.3	130.6	147.9	165.2	182.5	199.8	217.1	234.4	251.7	269.0	286.3	303.6	320.9	338.2	355.5	372.8	390.1	407.4	424.7	442.0	459.3	476.6	493.9	511.2	528.5	545.8	563.1	580.4
KS355LA	90.0	120.0	141.3	162.6	183.9	205.2	226.5	247.8	269.1	290.4	311.7	333.0	354.3	375.6	396.9	418.2	439.5	460.8	482.1	503.4	524.7	546.0	567.3	588.6	609.9	631.2	652.5	673.8	695.1	716.4
KS355LB	105.0	140.8	166.1	191.4	216.7	242.0	267.3	292.6	317.9	343.2	368.5	393.8	419.1	444.4	469.7	495.0	520.3	545.6	570.9	596.2	621.5	646.8	672.1	697.4	722.7	748.0	773.3	798.6	823.9	849.2
KS400L	100.0	135.0	160.0	185.0	210.0	235.0	260.0	285.0	310.0	335.0	360.0	385.0	410.0	435.0	460.0	485.0	510.0	535.0	560.0	585.0	610.0	635.0	660.0	685.0	710.0	735.0	760.0	785.0	810.0	835.0

* Up to frame size 315. For frame sizes above 315 the applicable ambient temp. will be 40°C.

SUPPLY CONDITION 3 PHASE
415V ±10%

50 C/S ±3% AMBIENT TEMP. 45°C

DUTY : S3, STARTING CLASS 6 STARTS/H

Table 8.1

8 POLE SLIPRING CRANE DUTY MOTORS-PERFORMANCE FIGURES

Frame Size	CDF 25%						CDF 40%						CDF 60%						CDF 100%						RV	GD2		POT (Nm)	Appro. Wt. (Kg)	Frame Size			
	OUTPUT KW HP		SPEED rpm	POT XFLT amps	FLC amps	RA	OUTPUT KW HP		SPEED rpm	POT XFLT amps	FLC amps	RA	OUTPUT KW HP		SPEED rpm	POT XFLT amps	FLC amps	RA	OUTPUT KW HP		SPEED rpm	POT XFLT amps	FLC amps	RA		ROTOR Kgm2	LOAD Kgm2						
	2	3					4	5					6	7					8	9											10	11	12
1	2.4	3.2	4.0	4.8	5.6	6.4	7.2	8.0	9.0	10.0	11.0	12.0	13.0	14.0	15.0	16.0	17.0	18.0	19.0	20.0	21.0	22.0	23.0	24.0	25.0	26.0	27.0	28.0	29.0	30.0	31.0		
KS132MA	2.4	3.2	4.0	4.8	5.6	6.4	7.2	8.0	9.0	10.0	11.0	12.3	13.4	14.5	15.6	16.7	17.8	18.9	20.0	21.1	22.2	23.3	24.4	25.5	26.6	27.7	28.8	29.9	31.0	32.1	33.2	34.3	
KS132MB	3.0	4.0	5.0	6.0	7.0	8.0	9.0	10.0	11.0	12.0	13.0	14.7	16.4	18.1	19.8	21.5	23.2	24.9	26.6	28.3	30.0	31.7	33.4	35.1	36.8	38.5	40.2	41.9	43.6	45.3	47.0	48.7	
KS132MC	4.1	5.5	7.0	8.5	10.0	11.5	13.0	14.5	16.0	17.5	19.0	20.0	22.0	24.0	26.0	28.0	30.0	32.0	34.0	36.0	38.0	40.0	42.0	44.0	46.0	48.0	50.0	52.0	54.0	56.0	58.0	60.0	
KS160M	5.5	7.0	8.5	10.0	11.5	13.0	14.5	16.0	17.5	19.0	20.5	22.0	23.5	25.0	26.5	28.0	29.5	31.0	32.5	34.0	35.5	37.0	38.5	40.0	41.5	43.0	44.5	46.0	47.5	49.0	50.5	52.0	
KS160L	8.2	11.0	14.0	17.0	20.0	23.0	26.0	29.0	32.0	35.0	38.0	41.0	44.0	47.0	50.0	53.0	56.0	59.0	62.0	65.0	68.0	71.0	74.0	77.0	80.0	83.0	86.0	89.0	92.0	95.0	98.0		
KS180L1	11.5	15.5	20.0	25.0	30.0	35.0	40.0	45.0	50.0	55.0	60.0	65.0	70.0	75.0	80.0	85.0	90.0	95.0	100.0	105.0	110.0	115.0	120.0	125.0	130.0	135.0	140.0	145.0	150.0	155.0	160.0	165.0	
KS180L2	12.0	16.0	20.0	24.0	28.0	32.0	36.0	40.0	44.0	48.0	52.0	56.0	60.0	64.0	68.0	72.0	76.0	80.0	84.0	88.0	92.0	96.0	100.0	104.0	108.0	112.0	116.0	120.0	124.0	128.0	132.0	136.0	
KS200L1	16.5	22.0	28.0	34.0	40.0	46.0	52.0	58.0	64.0	70.0	76.0	82.0	88.0	94.0	100.0	106.0	112.0	118.0	124.0	130.0	136.0	142.0	148.0	154.0	160.0	166.0	172.0	178.0	184.0	190.0	196.0	202.0	
KS200L2	17.5	23.5	30.0	36.0	42.0	48.0	54.0	60.0	66.0	72.0	78.0	84.0	90.0	96.0	102.0	108.0	114.0	120.0	126.0	132.0	138.0	144.0	150.0	156.0	162.0	168.0	174.0	180.0	186.0	192.0	198.0	204.0	
KS225SA	23.0	31.0	40.0	50.0	60.0	70.0	80.0	90.0	100.0	110.0	120.0	130.0	140.0	150.0	160.0	170.0	180.0	190.0	200.0	210.0	220.0	230.0	240.0	250.0	260.0	270.0	280.0	290.0	300.0	310.0	320.0	330.0	
KS225SB	27.0	36.0	46.0	56.0	66.0	76.0	86.0	96.0	106.0	116.0	126.0	136.0	146.0	156.0	166.0	176.0	186.0	196.0	206.0	216.0	226.0	236.0	246.0	256.0	266.0	276.0	286.0	296.0	306.0	316.0	326.0	336.0	
KS225MA	20.0	27.5	35.5	43.5	51.5	59.5	67.5	75.5	83.5	91.5	99.5	107.5	115.5	123.5	131.5	139.5	147.5	155.5	163.5	171.5	179.5	187.5	195.5	203.5	211.5	219.5	227.5	235.5	243.5	251.5	259.5	267.5	
KS225MB	33.0	44.0	55.0	66.0	77.0	88.0	99.0	110.0	121.0	132.0	143.0	154.0	165.0	176.0	187.0	198.0	209.0	220.0	231.0	242.0	253.0	264.0	275.0	286.0	297.0	308.0	319.0	330.0	341.0	352.0	363.0	374.0	
KS250SA	35.0	47.0	60.0	74.0	88.0	102.0	116.0	130.0	144.0	158.0	172.0	186.0	200.0	214.0	228.0	242.0	256.0	270.0	284.0	298.0	312.0	326.0	340.0	354.0	368.0	382.0	396.0	410.0	424.0	438.0	452.0	466.0	480.0
KS250SB	41.0	55.0	70.0	85.0	100.0	115.0	130.0	145.0	160.0	175.0	190.0	205.0	220.0	235.0	250.0	265.0	280.0	295.0	310.0	325.0	340.0	355.0	370.0	385.0	400.0	415.0	430.0	445.0	460.0	475.0	490.0	505.0	520.0
KS250MA	42.0	56.0	72.0	88.0	104.0	120.0	136.0	152.0	168.0	184.0	200.0	216.0	232.0	248.0	264.0	280.0	296.0	312.0	328.0	344.0	360.0	376.0	392.0	408.0	424.0	440.0	456.0	472.0	488.0	504.0	520.0	536.0	552.0
KS250MB	49.5	66.0	84.0	102.0	120.0	138.0	156.0	174.0	192.0	210.0	228.0	246.0	264.0	282.0	300.0	318.0	336.0	354.0	372.0	390.0	408.0	426.0	444.0	462.0	480.0	498.0	516.0	534.0	552.0	570.0	588.0	606.0	624.0
KS280SA1	57.0	76.4	97.0	118.0	140.0	162.0	184.0	206.0	228.0	250.0	272.0	294.0	316.0	338.0	360.0	382.0	404.0	426.0	448.0	470.0	492.0	514.0	536.0	558.0	580.0	602.0	624.0	646.0	668.0	690.0	712.0	734.0	756.0

SHADED OUTPUTS AS PER IPSS

• Upto frame size 315. For frame sizes above 315 the applicable ambient temp. will be 40°C.

Frame Size	CDF 25%						CDF 40%						CDF 60%						CDF 100%						RV	G02		Appro. Wt. (Kg)	Frame Size	
	OUTPUT		SPEED rpm	POT XFLT	FLC amps	RA	OUTPUT		SPEED rpm	POT XFLT	FLC amps	RA	OUTPUT		SPEED rpm	POT XFLT	FLC amps	RA	OUTPUT		SPEED rpm	POT XFLT	FLC amps	RA		ROTOR LOAD Kgm2	LOAD Kgm2			
	KW	HP					KW	HP					KW	HP					KW	HP										KW
1	2	3	4	5	6	7	8	9	10	11	12	13	14	15	16	17	18	19	20	21	22	23	24	25	26	27	28	29	30	31
KS280SA2	58.0	78.0	732	2.6	116.0	181.0	51.0	68.0	735	2.8	104.0	142.5	44.0	59.0	736	3.3	94.0	123.0	37.0	50.0	738	3.9	85.0	104.0	210	10.800	1853	990	KS280SA2	
KS280SB	82.0	83.0	732	2.6	126.0	136.0	54.0	72.5	735	3.0	112.0	132.0	47.0	62.5	739	3.4	106.0	116.0	40.0	53.5	738	4.0	93.0	100.0	245	11.900	2102	1020	KS280SB	
KS280SC	58.0	78.0	732	2.6	116.0	136.0	51.0	68.0	735	2.8	104.0	120.0	44.0	59.0	736	3.3	94.0	103.0	37.0	50.0	738	3.9	85.0	87.0	280	12.700	1853	1050	KS280SC	
KS280MA1	73.0	98.0	732	2.5	138.0	187.0	63.0	84.5	735	2.9	120.0	144.0	55.0	75.0	736	3.3	108.0	126.0	47.0	62.5	738	3.9	98.0	108.0	265	13.500	2370	1075	KS280MA1	
KS280MA2	73.5	98.5	732	2.5	138.5	168.0	64.5	86.5	735	2.8	122.0	147.0	56.0	78.0	736	3.2	110.0	128.0	47.0	62.5	738	3.9	98.0	108.0	260	13.500	2343	1075	KS280MA2	
KS280MB	73.5	98.5	732	2.5	138.5	135.0	64.5	86.5	735	2.8	122.0	119.0	56.0	78.0	736	3.2	110.0	103.0	47.0	62.5	738	3.9	98.0	87.0	335	13.900	2343	1090	KS280MB	
KS280MB	79.0	105.0	732	2.5	154.0	168.0	69.0	92.0	735	2.8	134.0	147.0	59.0	79.0	736	3.2	118.0	126.0	50.0	67.0	738	3.8	106.0	106.0	285	13.900	2505	1090	KS280MB	
KS315S1	93.0	125.0	733	2.6	172.0	190.0	80.0	107.0	735	3.0	150.0	158.0	70.0	94.0	737	3.4	137.0	137.0	60.0	80.0	738	4.0	125.0	118.0	310	22.000	3114	1385	KS315S1	
KS315S2	93.0	125.0	733	2.6	172.0	180.0	80.0	107.0	735	3.0	150.0	156.0	70.0	94.0	737	3.4	137.0	137.0	60.0	80.0	738	4.0	125.0	118.0	310	22.000	3114	1385	KS315S2	
KS315M1	115.0	155.0	733	2.6	210.0	187.0	100.0	135.0	735	3.0	166.0	163.0	88.0	117.9	737	3.4	170.0	143.0	75.0	100.0	738	4.0	148.0	122.0	370	26.300	3902	1475	KS315M1	
KS315M2	115.0	155.0	733	2.6	210.0	187.0	100.0	135.0	735	3.0	166.0	163.0	88.0	117.9	737	3.4	170.0	143.0	75.0	100.0	738	4.0	148.0	122.0	370	26.300	3992	1475	KS315M2	
KS355SA	150.0	200.0	738	2.6	278.0	234.0	125.0	168.0	738	3.1	237.0	195.0	110.0	150.0	740	3.5	215.0	172.0	95.0	127.0	740	4.1	196.0	148.0	360	42.000	5007	2000	KS355SA	
KS355SB	170.0	228.0	738	2.6	312.0	238.0	140.0	188.0	738	3.2	264.0	197.0	120.0	160.0	740	3.6	234.0	168.0	105.0	140.8	740	4.2	216.0	148.0	435	46.700	5788	2120	KS355SB	
KS355M	185.0	250.0	736	2.7	345.0	232.0	160.0	215.0	738	3.2	305.0	200.0	140.0	188.0	740	3.7	275.0	175.0	120.0	160.0	740	4.3	252.0	190.0	480	51.600	6615	2250	KS355M	
KS355L	240.0	320.0	738	2.9	436.0	500.0	200.0	268.0	740	3.5	378.0	417.0	170.0	230.0	742	4.1	338.0	347.0	145.0	195.0	743	4.8	302.0	298.0	300	64.000	8945	2500	KS355L	
KS400LA	240.0	320.0	736	2.6	422.0	364.0	200.0	268.0	738	3.2	360.0	304.0	170.0	228.0	740	3.7	318.0	259.0	145.0	195.0	742	4.3	286.0	227.0	400	75.000	8269	3100	KS400LA	
KS400LB	300.0	400.0	736	2.5	522.0	392.0	250.0	335.0	738	3.0	445.0	322.0	210.0	285.0	740	3.6	387.0	277.0	180.0	240.0	741	4.2	345.0	237.0	460	90.100	9690	3350	KS400LB	
KS450LA	350.0	470.0	738	2.7	610.0	516.0	300.0	400.0	740	3.1	536.0	444.0	260.0	350.0	741	3.7	477.0	385.0	220.0	295.0	742	4.3	421.0	328.0	415	162.80	11984	4100	KS450LA	
KS450LB	450.0	500.0	738	2.6	775.0	574.0	380.0	510.0	740	3.1	663.0	485.0	330.0	440.0	741	3.6	588.0	422.0	280.0	375.0	742	4.2	518.0	358.0	488	186.80	15179	4300	KS450LB	

Frame Size	GDF 25%									GDF 40%									GDF 60%									GDF 100%									RV	G02		POT (Nm)	Appro. Wt. (Kg)	Frame Size
	OUTPUT			SPEED rpm	POT XFLT	FLC amps	RA	OUTPUT			SPEED rpm	POT XFLT	FLC amps	RA	OUTPUT			SPEED rpm	POT XFLT	FLC amps	RA	ROTOR		LOAD Kgm2																		
	KW	HP	8					9	10	11					12	13	14					15	16		17	18	19	KW	HP	20	21	22	23	24	25	Kgm2		Kgm2				
1	2	3	4	5	6	7	8	9	10	11	12	13	14	15	16	17	18	19	20	21	22	23	24	25	26	27	28	29	30	31												
KS132MA	2.4	3.2	700	2.6	6.4	13.4	2.1	2.9	705	2.9	5.8	11.8	1.7	2.3	715	3.5	5.2	9.5	1.4	1.9	720	4.2	4.7	7.8	105	165	530	83	109	KS132MA												
KS132MB	3.0	4.0	700	2.6	7.8	16.4	2.6	3.5	705	2.8	6.9	14.2	2.2	3.0	715	3.4	6.2	12.0	1.7	2.3	720	4.4	5.5	9.3	110	190	1,000	102	115	KS132MB												
KS132MC	4.1	5.5	700	2.5	10.6	22.0	3.5	4.8	705	2.8	9.6	19.4	3.0	4.0	715	3.5	8.6	16.2	2.6	3.5	720	3.7	8.0	14.0	110	260	1,730	140	120	KS132MC												
KS160M	5.2	7.0	715	2.5	12.2	16.3	4.8	6.4	720	2.6	11.6	15.0	4.1	5.5	725	3.1	10.5	13.0							190	560	2,530	165	200	KS160M												
KS160L	7.5	10.0	715	2.5	17.5	20.0	6.7	9.0	720	2.8	16.0	17.8	5.3	7.3	725	3.5	13.7	14.0							225	740	3,740	280	215	KS160L												
KS160L1	9.5	12.7	722	3.3	22.7	24.1	8.5	11.5	725	3.7	21.2	21.6	7.0	9.4	730	4.5	19.0	18.0							235	1,170	5,100	424	250	KS160L1												
KS180L2	11.5	15.5	717	2.7	26.0	29.0	9.3	12.5	723	3.4	22.4	23.6	7.5	10.0	727	4.3	20.0	19.0	6.7	9.0	732	4.8	18.5	17.2	235	1,170	6,000	424	250	KS180L2												
KS200L1	14.0	18.8	727	3.0	33.6	33.2	12.0	16.0	730	3.5	31.2	28.6	11.0	15.0	732	3.8	29.0	26.2							255	2,170	7,200	434	370	KS200L1												
KS200L2	15.5	21.0	724	2.7	33.5	37.0	13.5	18.0	727	3.2	32.5	32.0	11.5	15.5	730	3.7	30.0	27.4	10.0	13.5	735	4.1	27.2	24.0	255	2,170	10,650	572	370	KS200L2												
KS225SA	20.0	27.0	730	3.4	47.0	54.0	17.5	23.5	730	4.0	43.0	47.0	15.0	20.0	735	4.6	40.0	41.0	13.0	17.5	737	5.5	38.0	36.0	220	4,020	12,000	636	510	KS225SA												
KS225SB	23.0	31.0	730	3.5	53.0	51.5	20.0	27.0	733	3.8	48.5	45.0	16.7	22.4	735	4.6	45.0	37.5	14.5	19.5	737	5.4	44.5	32.5	270	4,380	12,900	961	525	KS225SB												
KS225MA	23.0	31.0	731	3.6	57.0	50.5	20.0	27.0	734	4.2	52.0	44.0	18.5	25.0	735	4.8	50.0	40.5							275	4,530	10,800	1045	550	KS225MA												
KS225MB	29.0	38.8	730	3.1	65.5	66.0	26.0	35.0	733	3.6	59.0	59.0	20.0	27.0	735	4.6	51.5	45.5	17.8	23.9	737	5.2	49.0	40.6	265	5,120	14,100	1117	580	KS225MB												
KS250SA	30.0	40.0	730	3.7	71.0	64.0	26.0	35.0	733	4.2	62.0	56.0	22.0	29.5	735	5.0	58.0	47.0	19.5	26.0	736	5.6	54.0	42.0	280	5,730	15,800	1332	640	KS250SA												
KS250SB	37.0	50.0	730	3.4	80.0	82.5	31.5	42.2	733	3.9	71.0	70.5	26.0	35.0	735	4.8	66.0	58.5	22.0	29.5	736	5.5	64.0	49.1	270	6,340	22,500	1498	660	KS250SB												
KS250MA	34.0	46.0	730	3.6	79.0	62.0	30.0	40.0	733	4.1	70.0	55.0	27.0	36.0	735	4.5	67.0	40.0							330	6,890	15,800	1595	700	KS250MA												
KS250MB	43.2	56.0	730	3.4	92.5	73.0	37.0	50.0	733	4.1	84.0	63.0	30.0	40.0	735	5.0	78.0	51.0	26.0	35.0	736	5.4	70.0	44.0	355	7,430	24,000	1737	725	KS250MB												
KS280SA1	47.0	62.5	735	3.0	98.0	132.0	41.0	55.0	737	3.4	90.0	114.0	37.0	50.0	738	3.8	85.0	104.0							210	10,800	17,000	1816	990	KS280SA1												

SHADED OUTPUTS AS PER IPSS
 * Up to frame size 315. For frame sizes above 315 the applicable ambient temp. will be 40°C.

SUPPLY CONDITION 3 PHASE
415V +/-10%

DUTY : S4 & S5, STARTING CLASS 150 STARTS/Hr

Table 8.2 (Contd.)

3 POLE SLIPRING CRANE DUTY MOTORS-PERFORMANCE FIGURES

Frame Size	CDF 25%										CDF 40%										CDF 50%										CDF 100%										RV	GD2		POT (Nm)	Appro. Wt. (Kg)	Frame Size
	OUTPUT KW		SPEED rpm	POT XFLT	FLC amps	RA	OUTPUT KW	SPEED rpm	POT XFLT	FLC amps	RA	OUTPUT KW	SPEED rpm	POT XFLT	FLC amps	RA	OUTPUT KW	SPEED rpm	POT XFLT	FLC amps	RA	OUTPUT KW	SPEED rpm	POT XFLT	FLC amps	RA	ROTOR Kgm2	LOAD Kgm2																		
	2	3																											4	5	6	7	8	9	10	11	12	13	14	15		16	17			
1	52.0	70.0	734	2.8	105.0	145.0	44.0	59.0	738	3.3	94.0	123.0	37.0	50.0	738	3.9	85.0	104.0	31.0	41.5	740	4.6	74.0	86.0	210	10.800	30.000	1853	990	KS280SA2																
KS280SB	56.0	76.0	734	2.9	113.0	136.0	48.0	64.0	736	3.3	107.0	118.0	40.0	53.5	738	4.0	93.0	100.0	34.0	46.0	740	4.7	87.0	84.0	245	11.900	32.400	2102	1020	KS280SB																
KS280SC	52.0	70.0	734	2.8	105.0	122.0	44.0	59.0	736	3.3	94.0	103.0	37.0	50.0	738	3.9	85.0	87.0	31.0	41.5	740	4.6	74.0	73.0	254	12.700	30.000	1853	1050	KS280SC																
KS280MA1	60.0	80.0	736	3.0	114.0	137.0	52.0	70.0	737	3.4	105.0	119.0	47.0	62.5	738	3.8	96.0	108.0	47.0	62.5	738	4.0	125.0	118.0	310	13.500	21.600	2370	1075	KS280MA1																
KS280MA2	66.0	86.0	735	2.6	124.0	150.0	56.0	76.0	736	3.2	110.0	128.0	47.0	62.5	738	3.9	98.0	108.0	40.0	53.5	740	4.8	90.0	92.0	285	13.500	38.400	2343	1075	KS280MA2																
KS280MB	66.0	86.0	735	2.8	124.0	120.0	56.0	76.0	736	3.2	110.0	103.0	47.0	62.5	738	3.9	98.0	87.0	40.0	53.5	740	4.8	90.0	74.0	335	13.900	38.400	2343	1050	KS280MB																
KS280MB	70.0	94.0	735	2.8	136.0	149.0	58.0	79.0	736	3.2	118.0	128.0	50.0	67.0	738	3.8	106.0	108.0	42.0	56.0	740	4.5	96.0	90.0	285	13.900	39.000	2506	1090	KS280MB																
KS315S1	75.0	100.0	736	3.1	145.0	147.0	66.0	88.0	737	3.6	132.0	130.0	60.0	80.0	738	4.0	125.0	118.0	60.0	80.0	740	4.6	114.0	102.0	310	22.000	25.500	3114	1385	KS315S1																
KS315S2	87.0	116.7	735	2.7	160.0	168.0	72.0	96.5	737	3.3	140.0	141.0	60.0	80.0	738	3.8	125.0	118.0	52.0	70.0	740	4.6	114.0	102.0	310	22.000	40.000	3114	1385	KS315S2																
KS315M1	95.0	127.0	736	3.1	180.0	154.0	83.0	112.0	737	3.3	162.0	135.0	75.0	100.0	736	4.0	148.0	122.0	75.0	100.0	740	4.7	137.0	104.0	370	26.300	31.300	3682	1475	KS315M1																
KS315M2	106.0	142.0	735	2.8	198.0	172.0	86.0	115.3	737	3.4	165.0	140.0	75.0	100.0	738	4.0	148.0	122.0	64.0	86.0	740	4.7	137.0	104.0	370	26.300	54.000	3682	1475	KS315M2																
KS355SA	140.0	188.0	736	2.8	260.0	219.0	115.0	155.0	739	3.5	222.0	178.0	95.0	127.0	740	4.1	196.0	148.0	75.0	100.0	743	5.2	169.0	118.0	390	42.000	76.000	5007	2000	KS355SA																
KS355SB	155.0	208.0	737	2.9	267.0	217.0	120.0	160.0	740	3.6	234.0	168.0	105.0	140.8	740	4.2	216.0	148.0	85.0	114.0	743	5.2	189.0	120.0	435	46.700	84.000	5788	2140	KS355SB																
KS355M	150.0	200.0	740	3.4	282.0	188.0	132.0	175.0	740	3.9	264.0	165.0	120.0	160.0	740	4.3	252.0	150.0	120.0	160.0	740	4.3	252.0	150.0	480	51.500	94.000	6615	2250	KS355M																
KS355L	210.0	285.0	740	3.4	394.0	406.0	175.0	235.0	742	4.0	344.0	341.0	145.0	195.0	743	4.8	302.0	284.0	115.0	155.0	745	5.4	269.0	238.0	300	64.000	116.00	8945	2500	KS355L																
KS400LA	210.0	285.0	737	3.0	376.0	320.0	175.0	235.0	740	3.6	325.0	257.0	145.0	195.0	742	4.3	286.0	221.0	115.0	155.0	744	5.4	248.0	174.0	400	78.000	116.00	8289	3100	KS400LA																
KS400LB	270.0	360.0	737	3.0	475.0	355.0	220.0	295.0	740	3.4	400.0	290.0	180.0	240.0	741	4.2	345.0	237.0	140.0	188.0	744	5.4	297.0	165.0	460	90.100	125.00	9690	3350	KS400LB																
KS450LA	320.0	430.0	738	3.0	566.0	473.0	265.0	355.0	741	3.6	482.0	362.0	220.0	295.0	742	4.3	421.0	326.0	170.0	228.0	744	5.6	360.0	253.0	415	182.80	136.00	11584	4100	KS450LA																
KS450LB	410.0	550.0	738	3.0	708.0	526.0	330.0	440.0	741	3.5	602.0	434.0	280.0	375.0	742	4.3	520.0	358.0	220.0	295.0	744	5.6	442.0	282.0	460	188.80	160.00	15179	4300	KS450LB																

SHADED OUTPUTS AS PER IPSS

• Up to frame size 315. For frame sizes above 315 the applicable ambient temp. will be 40°C.

SUPPLY CONDITION 3 PHASE
415V +-10%
50 C.S +-3% AMBIENT TEMP. 45°C*

DUTY : S4 & S5, STARTING CLASS 600 STARTS/H

Table 8.4

8 POLE SLIPRING CRANE DUTY MOTORS-PERFORMANCE FIGURES

Frame Size	CDF 25%						CDF 40%						CDF 50%						CDF 100%						RV	GD2		POT (Nm)	Appro Wt. (Kg)	Frame Size
	OUTPUT KW	SPEED rpm	POT XFLT	FLC amps	RA	OUTPUT KW	SPEED rpm	POT XFLT	FLC amps	RA	OUTPUT KW	SPEED rpm	POT XFLT	FLC amps	RA	OUTPUT KW	SPEED rpm	POT XFLT	FLC amps	RA	RATOR Kgm2	LOAD Kgm2								
																							HP	HP		HP	HP			
1	2	3	4	5	6	7	8	9	10	11	12	13	14	15	16	17	18	19	20	21	22	23	24	25	26	27	28	29	30	31
KS132MA	2.1	2.9	705	2.9	5.8	11.8	1.7	2.3	715	3.5	5.2	9.5	1.4	1.9	720	4.2	4.7	7.8							105	165	350	89	109	KS132MA
KS132MB	2.6	3.5	705	2.6	6.9	14.2	2.2	3.0	715	3.0	6.2	12.0	1.7	2.3	720	3.9	5.5	9.3							110	190	670	102	115	KS132MB
KS132MC	3.6	4.8	710	2.6	9.5	19.4	3.0	4.0	715	3.2	6.6	16.2	2.6	3.5	720	3.7	6.0	14.0							110	260	1,150	140	120	KS132MC
KS160M																										190	560	167	200	KS160M
KS160L																										225	740	280	215	KS160L
KS180L1																										235	1,170	424	250	KS180L1
KS180L2	8.0	10.7	727	3.6	19.5	20.0	6.8	9.1	728	4.2	18.5	17.3	6.3	8.4	730	4.6	19.0	16.9							235	1,170	404	250	KS180L2	
KS200L1																										255	2,170	494	370	KS200L1
KS200L2	10.5	14.0	722	3.7	27.4	26.0	9.4	12.6	729	4.1	26.0	22.0	8.5	11.5	735	4.5	25.5	20.3							255	2,170	572	370	KS200L2	
KS225SA	14.0	18.8	736	4.8	38.0	39.0	12.5	16.8	737	5.4	36.0	35.0	11.2	15.2	739	6.0	35.0	31.4							220	4,020	896	510	KS225SA	
KS225SB	16.0	21.5	736	4.7	44.0	35.7	14.0	18.8	738	5.5	40.0	31.0	12.8	17.2	739	6.0	40.0	28.5							270	4,380	961	525	KS225SB	
KS225MA																										275	4,630	1045	550	KS225MA
KS225MB	20.0	27.0	735	4.6	51.5	45.5	18.0	24.0	736	4.9	48.5	41.0	16.0	21.5	738	5.7	46.4	36.5							265	5,120	1117	580	KS225MB	
KS250SA	22.0	29.5	736	5.0	58.0	47.0	19.5	26.5	738	5.6	55.5	42.0	17.5	23.5	738	6.2	54.0	37.7							260	5,730	1332	640	KS250SA	
KS250SB	23.5	31.5	737	5.2	65.0	53.0	21.0	28.0	738	5.8	63.0	47.0	19.0	25.5	739	6.4	60.0	43.0							270	6,340	1498	660	KS250SB	
KS250MA																										330	6,830	1595	700	KS250MA
KS250MB	28.0	37.5	737	5.4	76.0	49.0	25.0	33.5	738	5.8	68.0	44.0	23.0	31.0	739	6.4	66.0	40.7							355	7,430	1787	725	KS250MB	
KS280SA1																										210	10,800	1816	990	KS280SA1

* Upto frame size 315. For frame sizes above 315 the applicable ambient temp. will be 40°C.

SUPPLY CONDITION 3 PHASE
415V +/-10%

DUTY : S4 & S5, STARTING CLASS 600 STARTSHF

Table 8.4 (Contd.)

8 POLE SLIPRING CRANE DUTY MOTORS-PERFORMANCE FIGURES

50 CS +/-3% AMBIENT TEMP. 45°C

Frame Size	CDF 25%						CDF 40%						CDF 60%						CDF 100%						RV	GD2 ROTOR Kgm2	LOAD Kgm2	POT (Nm)	Appro Wt. (Kg)	Frame Size	
	OUTPUT KW	SPEED rpm	POT XFLT	FLC amps	RA	OUTPUT KW	SPEED rpm	POT XFLT	FLC amps	RA	OUTPUT KW	SPEED rpm	POT XFLT	FLC amps	RA	OUTPUT KW	SPEED rpm	POT XFLT	FLC amps	RA	OUTPUT KW	SPEED rpm	POT XFLT	FLC amps							RA
	2	3	4	5	6	7	8	9	10	11	12	13	14	15	16	17	18	19	20	21	22	23	24	25							26
KS280SA2	30.0	40.0	741	4.5	76.0	84.0	28.0	37.5	742	4.8	74.0	79.0	25.0	33.5	742	5.4	71.0	70.0	21.0	10.800	20.000	1853	990	KS280SA2							
KS280SB	33.0	44.0	742	4.8	91.0	82.0	30.0	40.0	743	5.3	88.0	74.0	27.5	37.0	743	5.8	86.0	68.0	24.5	11.900	21.600	2102	1020	KS280SB							
KS280SC	30.0	40.0	741	4.5	76.0	71.0	28.0	37.5	742	4.8	74.0	66.0	25.0	33.5	742	5.4	71.0	60.0	26.0	12.700	20.000	1853	1050	KS280SC							
KS280MA1																			265	13.500	23.70	2370	1075	KS280MA1							
KS280MA2	38.0	51.0	741	4.4	90.0	87.0	35.0	47.0	742	4.7	87.0	80.0	32.0	43.0	743	5.2	84.0	74.0	265	13.500	25.600	2343	1075	KS280MA2							
KS280MB	38.0	51.0	741	4.4	90.0	70.5	35.0	47.0	742	4.7	87.0	65.0	32.0	43.0	743	5.2	84.0	60.0	335	13.900	25.600	2343	1090	KS280MB							
KS280MB	42.0	58.0	742	4.3	100.0	90.0	38.5	51.5	742	4.7	96.0	82.0	35.0	47.0	743	5.2	92.0	75.0	285	13.900	26.000	2508	1090	KS280MB							
KS315S1																			310	22.000	31.14	3114	1385	KS315S1							
KS315S2	52.0	70.0	742	4.4	115.0	102.0	47.0	62.5	742	5.0	109.0	99.0	43.0	57.5	743	5.4	104.0	85.0	310	22.000	26.700	3114	1385	KS315S2							
KS315M1																			370	26.300	38.92	3892	1475	KS315M1							
KS315M2	64.0	86.0	742	4.4	138.0	105.0	57.0	76.4	743	5.0	129.0	93.0	53.0	71.0	744	5.3	125.0	87.0	370	26.300	36.000	3892	1475	KS315M2							
KS355SA	68.0	91.0	744	5.7	170.0	107.0	64.0	86.0	744	6.1	166.0	101.0	59.0	79.0	745	6.6	161.0	93.0	390	42.000	50.700	5007	2000	KS355SA							
KS355SB	74.0	99.0	744	6.0	187.0	104.0	70.0	94.0	745	6.3	183.0	99.0	65.0	87.0	745	6.8	178.0	92.0	435	46.700	56.000	5788	2120	KS355SB							
KS355M																			480	51.500	66.15	6615	2250	KS355M							
KS355L	110.0	150.0	745	6.3	276.0	225.0	100.0	135.0	745	6.9	257.0	206.0	90.0	120.0	747	7.8	247.0	155.0	300	67.200	76.000	8545	2500	KS355L							
KS400LA	110.0	150.0	744	5.3	240.0	166.0	100.0	135.0	745	6.1	234.0	153.0	90.0	120.0	745	7.0	230.0	137.0	400	76.000	76.000	8259	3100	KS400LA							
KS400LB	130.0	170.0	745	5.6	289.0	172.0	120.0	160.0	745	6.0	277.0	169.0	115.0	155.0	745	6.2	271.0	152.0	460	90.100	82.000	9690	3350	KS400LB							
KS450LA	120.0	160.0	746	7.8	315.0	176.0	115.0	155.0	746	8.1	310.0	171.0	110.0	150.0	746	8.5	306.0	164.0	415	162.30	90.000	11984	4100	KS450LA							
KS450LB	180.0	240.0	745	6.2	406.0	230.0	170.0	228.0	746	6.6	397.0	217.0	160.0	215.0	746	7.0	385.0	205.0	460	168.80	101.00	15179	4300	KS450LB							

Upto frame size 315. For frame sizes above 315 the applicable ambient temp. will be 40°C.

SUPPLY CONDITION 3 PHASE
415V ±10%
50 C.S. ±1% AMBIENT TEMP. 45°C*

DUTY : S3, STARTING CLASS 6 STARTS/H

Table 10.1

10 POLE SLIPRING CRANE DUTY MOTORS-PERFORMANCE FIGURES

Frame Size	CDF 25%						CDF 40%						CDF 50%						CDF 100%						RV	GD2		POT (Nm)	Appro. Wt. (Kg)	Frame Size
	OUTPUT KW	SPEED rpm	POT XFLT	FLC amps	RA	RA	OUTPUT KW	SPEED rpm	POT XFLT	FLC amps	RA	RA	OUTPUT KW	SPEED rpm	POT XFLT	FLC amps	RA	RA	OUTPUT KW	SPEED rpm	POT XFLT	FLC amps	RA	RA		ROTOR Kgm2	LOAD Kgm2			
1	2	3	4	5	6	7	8	9	10	11	12	13	14	15	16	17	18	19	20	21	22	23	24	25	26	27	28	29	30	31
KS225S	18.0	24.0	560	2.6	43.0	47.0	16.7	22.4	581	2.8	40.0	44.0	15.0	20.0	582	3.1	36.5	39.0	11.5	15.5	566	4.0	34.0	30.0	230	4.000	749	515	KS225S	
KS225M	23.5	31.5	560	2.6	57.0	50.0	22.0	29.5	581	2.8	54.0	46.5	19.5	26.0	582	3.2	50.0	41.3	15.0	20.0	566	4.1	46.0	32.0	285	5.100	1001	550	KS225M	
KS250SA	26.0	35.0	582	2.5	61.0	55.0	23.0	31.0	584	2.8	56.0	48.5	20.0	27.0	585	3.2	52.0	42.0	18.5	22.0	587	3.9	48.0	34.0	285	5.700	1045	520	KS250SA	
KS250SB	28.5	38.2	582	2.7	67.0	49.5	25.0	33.5	584	3.0	62.0	43.5	21.5	29.0	585	3.6	57.0	37.3	18.0	24.0	587	4.2	53.5	31.0	350	6.300	1228	640	KS250SB	
KS250M	32.0	43.0	582	2.6	74.0	55.0	26.5	38.2	584	2.9	69.0	49.0	24.5	33.0	585	3.4	63.6	42.0	20.0	27.0	567	4.0	58.0	35.5	350	6.800	1300	675	KS250M	
KS280SA	48.0	64.0	583	2.4	105.0	134.0	40.0	53.5	585	2.8	94.0	112.0	32.0	43.0	587	3.5	82.0	90.0	27.0	36.0	590	4.1	76.0	76.0	215	10.500	1789	980	KS280SA	
KS280SB	55.0	75.0	583	2.5	119.0	130.0	46.0	61.5	585	2.8	106.0	253.0	38.0	51.0	587	3.5	95.0	92.0	32.0	43.0	590	4.1	86.0	77.0	250	12.300	2120	1020	KS280SB	
KS280MA	60.0	80.0	583	2.4	130.0	136.0	50.0	67.0	585	2.8	114.0	113.0	42.0	56.0	587	3.3	103.0	95.0	35.0	47.0	590	4.0	95.0	79.0	265	13.500	2263	1075	KS280MA	
KS280MB	65.0	87.0	583	2.5	144.0	128.0	57.0	76.4	585	2.9	132.0	112.0	46.5	62.0	587	3.5	116.0	91.0	40.0	53.5	590	4.1	108.0	79.0	305	14.800	2651	1120	KS280MB	
KS315SA	70.0	94.0	585	2.9	148.0	109.0	60.0	80.0	588	3.4	135.0	94.0	52.0	70.0	590	3.9	124.0	82.0	44.0	59.0	592	4.6	115.0	70.0	380	22.000	2693	1385	KS315SA	
KS315MA	70.0	94.0	585	2.7	144.0	140.0	60.0	80.0	588	3.1	130.0	120.0	52.0	70.0	590	3.6	116.0	105.0	44.0	59.0	592	4.2	109.0	86.0	305	22.300	2693	1385	KS315MA	
KS315SB	78.0	104.5	585	2.7	165.0	136.0	67.0	90.0	588	3.2	152.0	120.0	56.0	76.0	590	3.8	137.0	100.0	50.0	67.0	592	4.2	128.0	80.0	340	25.200	3221	1450	KS315SB	
KS315M1	87.0	116.7	585	2.7	160.0	142.0	75.0	100.0	588	3.1	162.0	124.0	65.0	87.0	590	3.6	150.0	107.0	55.0	75.0	582	4.2	134.0	90.0	370	27.700	3544	1480	KS315M1	
KS315M2	87.0	116.7	585	2.7	160.0	142.0	75.0	100.0	588	3.1	162.0	123.0	65.0	87.0	590	3.6	150.0	107.0	55.0	75.0	582	4.2	136.0	90.0	370	27.700	3544	1480	KS315M2	
KS355SA	102.0	137.0	585	2.5	200.0	192.0	88.0	117.9	588	2.9	177.0	166.0	76.0	102.0	590	3.4	160.0	143.0	65.0	87.0	591	4.0	145.0	123.0	300	39.500	4195	2000	KS355SA	
KS355SB	115.0	155.0	585	2.6	225.0	188.0	100.0	135.0	588	3.0	202.0	164.0	85.0	114.0	590	3.5	181.0	139.0	73.0	98.0	591	4.1	168.0	122.0	370	45.600	4839	2100	KS355SB	
KS355MA	115.0	155.0	585	2.6	225.0	188.0	100.0	135.0	588	3.0	202.0	164.0	85.0	114.0	590	3.5	181.0	139.0	73.0	98.0	591	4.1	168.0	122.0	370	45.600	4839	2100	KS355MA	
KS355MB	145.0	195.0	585	2.5	276.0	210.0	125.0	168.0	588	2.9	244.0	181.0	108.0	145.0	590	3.4	220.0	156.0	92.0	123.5	591	4.0	198.0	133.0	420	51.400	5937	2300	KS355MB	
KS355LA	145.0	195.0	585	2.5	276.0	210.0	125.0	168.0	588	2.9	244.0	181.0	108.0	145.0	590	3.4	220.0	156.0	92.0	123.5	591	4.0	198.0	133.0	420	51.800	5937	2340	KS355LA	
KS355LB	180.0	240.0	588	2.7	345.0	310.0	160.0	215.0	590	3.0	310.0	278.0	195.0	180.0	592	3.6	274.0	235.0	115.0	155.0	593	4.2	248.0	200.0	350	67.900	7766	2550	KS355LB	
KS400LA	186.0	240.0	588	2.9	347.0	267.0	160.0	215.0	590	3.3	312.0	237.0	195.0	180.0	592	3.9	278.0	200.0	115.0	155.0	593	4.3	254.0	171.0	410	65.000	7652	3000	KS400LA	
KS400LB	230.0	310.0	588	2.7	429.0	207.0	200.0	268.0	590	3.1	378.0	256.0	170.0	228.0	591	3.7	336.0	218.0	145.0	195.0	592	4.2	309.0	186.0	475	89.100	9609	3300	KS400LB	
KS450LA	300.0	400.0	589	2.5	536.0	444.0	250.0	335.0	591	3.0	471.0	371.0	210.0	285.0	592	3.5	408.0	312.0	180.0	240.0	593	4.1	367.0	267.0	410	162.60	11867	4000	KS450LA	
KS450LB	360.0	510.0	589	2.4	680.0	514.0	320.0	430.0	591	3.0	592.0	406.0	260.0	350.0	592	3.5	503.0	334.0	220.0	295.0	593	4.1	449.0	283.0	475	163.60	14504	4400	KS450LB	
KS500L	450.0	600.0	590	2.7	832.0	592.0	390.0	510.0	591	3.1	726.0	505.0	320.0	430.0	593	3.6	648.0	425.0	270.0	360.0	595	4.4	584.0	361.0	455	271.00	19039	5400	KS500L	
KS500LX	475.0	635.0	590	2.6	880.0	635.0	425.0	570.0	591	2.9	780.0	570.0	360.0	480.0	593	3.4	726.0	480.0	310.0	415.0	595	4.0	620.0	415.0	460	332.00	20277	5900	KS500LX	
KS560LX	950.0	1275.0	594	2.5	1710.0	1115.0	860.0	1150.0	596	2.8	1650.0	1010.0	740.0	990.0	595	3.2	1450.0	870.0	650.0	870.0	596	3.7	1300.0	765.0	500	740.00	39830	10000	KS560LX	

SHADED OUTPUTS AS PER IPSS

* Up to frame size 315. For frame sizes above 315 the applicable ambient temp. will be 40°C.

SUPPLY CONDITION 3 PHASE
415V ±1-10%

DUTY : S4 & S5, STARTING CLASS 300 STARTS/Hr

Table 10.3

10 POLE SLIPRING CRANE DUTY MOTORS-PERFORMANCE FIGURES

Frame Size	CDF 25%						CDF 40%						CDF 60%						CDF 100%						RV	G02		POT (Nm)	Appro Wt. (Kg)	Frame Size
	OUTPUT KW		SPEED rpm	POT XFLT	FLC amps	RA	OUTPUT KW		SPEED rpm	POT XFLT	FLC amps	RA	OUTPUT KW		SPEED rpm	POT XFLT	FLC amps	RA	OUTPUT KW		SPEED rpm	POT XFLT	FLC amps	RA		ROTOR Kgm2	LOAD Kgm2			
	2	3	4	5	6	7	8	9	10	11	12	13	14	15	16	17	18	19	20	21	22	23	24	25		26	27			
KS225S	15.0	20.0	582	3.1	38.5	39.0	11.5	15.5	586	4.0	34.0	30.0	10.0	13.5	588	4.5	33.0	25.5	230	4.000	10.700	749	516	KS225S						
KS225M	20.0	27.0	582	3.1	51.0	42.5	15.0	20.0	586	4.1	46.0	32.0	13.5	18.0	588	4.5	45.5	28.5	285	5.100	11.300	1001	550	KS225M						
KS250SA	21.5	29.0	585	3.0	54.0	45.2	16.5	22.0	587	3.9	48.0	34.0	15.0	20.0	588	4.3	46.5	31.3	285	5.700	15.300	1045	620	KS250SA						
KS250SB	23.0	31.0	585	3.3	59.0	40.0	18.0	24.0	587	4.2	53.5	31.0	16.0	21.5	588	4.7	52.5	27.8	350	6.300	16.500	1228	640	KS250SB						
KS250M	26.0	35.0	585	3.1	65.0	44.6	20.0	27.0	587	4.0	58.0	35.5	17.5	23.5	588	4.5	56.5	30.0	350	6.800	18.000	1300	675	KS250M						
KS280SA	34.0	46.0	586	3.2	84.0	95.0	27.0	36.0	590	4.1	76.0	76.0	23.0	31.0	589	4.8	71.0	65.0	215	10.500	21.200	1789	950	KS280SA						
KS280SB	42.0	56.0	586	3.1	100.0	102.0	32.0	43.0	590	4.1	88.0	77.0	28.0	37.5	589	4.7	84.0	68.0	250	12.300	24.000	2120	1020	KS280SB						
KS280MA	44.0	59.0	586	3.2	105.0	99.0	35.0	47.0	590	4.0	95.0	79.0	30.0	40.0	590	4.7	90.0	68.0	265	13.500	26.700	2263	1075	KS280MA						
KS280MB	50.0	67.0	586	3.3	123.0	99.0	40.0	53.5	590	4.1	110.0	79.0	34.0	46.0	590	4.8	105.0	87.0	305	14.900	32.000	2651	1120	KS280MB						
*KS315SA							42.0	56.0	592	4.8	110.0	87.0	37.0	50.0	593	5.4	107.0	90.0	380	22.000	30.900	2693	1385	KS315SA						
KS315SA	52.0	70.0	590	3.6	116.0	105.0	44.0	59.0	592	4.2	105.0	88.0	37.0	50.0	593	5.0	102.0	74.0	305	22.000	35.200	2693	1385	KS315SA						
KS315SB	62.0	83.0	590	3.5	145.0	110.0	50.0	67.0	592	4.2	128.0	88.0	44.0	59.0	593	4.8	125.0	80.0	340	25.200	40.000	3221	1450	KS315SB						
*KS315M1							53.0	71.0	592	4.3	133.0	87.0	46.0	61.5	593	5.2	128.0	78.0	370	27.700	36.900	3544	1480	KS315M1						
KS315M2	70.0	94.0	589	3.3	158.0	115.0	55.0	75.0	592	4.2	138.0	90.0	50.5	67.7	592	4.6	145.0	83.0	370	27.700	44.000	3544	1480	KS315M2						
KS355SA	80.0	107.0	590	3.2	165.0	150.0	65.0	87.0	591	4.0	145.0	123.0	55.0	75.0	592	4.5	135.0	104.0	320	39.600	47.200	4195	2000	KS355SA						
KS355SB	90.0	120.0	590	3.3	170.0	148.0	73.0	96.0	591	4.0	158.0	122.0	60.0	80.0	592	4.5	152.0	96.0	370	45.600	69.300	4829	2100	KS355SB						
*KS355MA							70.0	94.0	592	4.3	164.0	116.0	62.0	83.0	593	4.8	160.0	102.0	370	45.600	69.300	4829	2200	KS355MA						
KS355MB	115.0	155.0	590	3.3	229.0	166.0	92.0	123.5	591	4.0	198.0	133.0	75.0	100.0	592	4.9	178.0	108.0	420	51.600	86.700	5907	2300	KS355MB						
*KS355LA							88.0	117.9	593	4.0	165.0	126.0	78.0	104.5	593	4.4	172.0	112.0	420	51.600	86.7	5937	2390	KS355LA						
KS355LB	140.0	189.0	592	3.5	282.0	244.0	115.0	155.0	593	4.2	248.0	200.0	100.0	135.0	594	4.8	230.0	173.0	350	67.000	116.700	7766	2550	KS355LB						
*KS400LA							110.0	150.0	593	4.5	244.0	163.0	87.0	116.7	594	6.0	220.0	128.0	410	85.000	96.000	7952	3000	KS400LA						
*KS400LB							140.0	188.0	593	4.4	284.0	180.0	123.0	165.0	594	5.0	276.0	156.0	475	99.100	124.00	9809	3300	KS400LB						
KS450LA	215.0	288.0	592	3.4	416.0	319.0	180.0	240.0	593	4.1	367.0	267.0	150.0	200.0	594	4.9	335.0	223.0	410	162.80	140.00	11887	4000	KS450LA						
KS450LB	265.0	355.0	592	3.3	512.0	341.0	220.0	295.0	593	4.1	445.0	283.0	185.0	250.0	594	4.9	406.0	238.0	475	189.60	175.00	14504	4400	KS450LB						
KS500L	320.0	430.0	594	3.7	648.0	427.0	270.0	360.0	595	4.4	584.0	361.0	225.0	300.0	596	5.3	532.0	301.0	455	271.00	200.00	19039	5400	KS500L						
KS500LX	360.0	480.0	593	3.4	729.0	480.0	310.0	415.0	595	4.0	620.0	415.0	270.0	360.0	596	4.6	570.0	361.0	480	332.00	220.00	20277	5900	KS500LX						
KS560LX	740.0	990.0	595	3.2	1450.0	870.0	650.0	870.0	596	3.7	1300.0	765.0	550.0	750.0	597	4.4	1200.0	850.0	500	740.00	300.00	38630	10000	KS560LX						

SHADED OUTPUTS AS PER IPSS
 * Up to frame size 315. For frame sizes above 315 the applicable ambient temp. will be 40°C.
 DOC-RMPP-0010102
 119

SUPPLY CONDITION 3 PHASE
415V ±10%

DUTY : S4 & S5, STARTING CLASS 600 STARTS/Hr

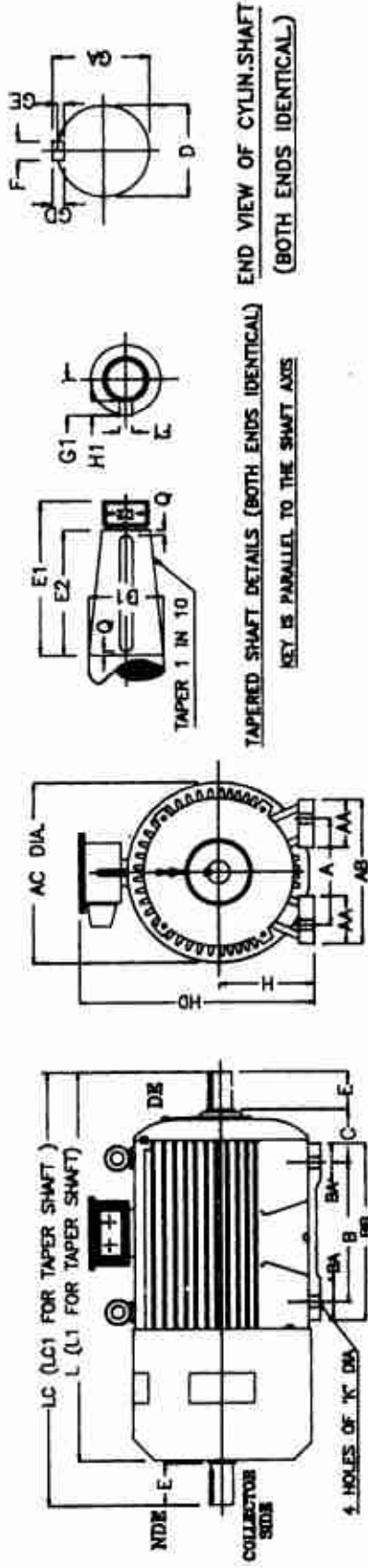
Table 10.4

10 POLE SLIPRING CRANE DUTY MOTORS-PERFORMANCE FIGURES

Frame Size	CDF 25%						CDF 40%						CDF 60%						CDF 100%						RV	GD2		POT (Nm)	Appro. Wt. (Kg)	Frame Size	
	OUTPUT KW	SPEED rpm	POT XFLT	FLC amps	RA	RA	OUTPUT KW	SPEED rpm	POT XFLT	FLC amps	RA	RA	OUTPUT KW	SPEED rpm	POT XFLT	FLC amps	RA	RA	OUTPUT KW	SPEED rpm	POT XFLT	FLC amps	RA	RA		ROTOR Kgm2	LOAD Kgm2				
																															HP
1	2	3	4	5	6	7	8	9	10	11	12	13	14	15	16	17	18	19	20	21	22	23	24	25	26	27	28	29	30	31	
KS225S	10.5	14.0	588	4.2	33.0	27.6	9.5	12.7	589	4.7	32.0	25.0	8.5	11.5	590	5.3	31.0	22.5							230	4.000	10.700	749	515	KS225S	
KS225M	15.0	20.0	588	4.1	46.2	31.8	14.0	18.8	589	4.4	45.3	29.7	12.0	16.0	591	5.1	43.0	25.3							285	5.100	11.300	1001	550	KS225M	
KS250SA	15.0	20.0	588	4.3	46.7	31.7	14.0	18.8	590	4.6	45.7	29.6	12.0	16.0	592	5.4	43.6	25.4							285	5.700	15.300	1045	620	KS250SA	
KS250SB	17.0	23.0	590	4.5	52.4	29.5	15.5	21.0	591	4.9	51.0	27.0	13.5	18.0	592	5.7	49.0	23.5							350	6.300	16.500	1228	640	KS250SB	
KS250M	20.0	27.0	590	4.2	58.5	34.4	17.0	23.0	591	4.9	55.4	28.2	15.0	20.1	592	5.6	53.6	25.8							350	6.800	18.000	1300	675	KS250M	
KS280SA	25.0	33.5	591	4.2	74.2	70.2	22.5	30.0	592	4.7	71.6	63.2	20.0	27.0	592	5.3	69.0	56.2							215	10.500	21.200	1789	990	KS280SA	
KS280SB	30.0	40.0	591	4.1	86.0	72.7	27.5	37.0	592	4.5	83.0	66.7	24.0	32.0	593	5.2	80.0	58.3							250	12.300	24.000	2120	1020	KS280SB	
KS280MA	33.0	44.0	591	4.1	93.5	74.6	29.0	38.8	592	4.6	89.4	65.7	26.0	35.0	593	5.2	86.3	59.0							265	13.500	26.700	2263	1075	KS280MA	
KS280MB	38.0	51.0	592	4.1	105.0	75.0	33.0	44.0	593	4.8	104.0	85.0	30.0	40.0	593	5.2	101.0	59.0							305	14.8	32.000	2651	1120	KS280MB	
KS315SA	38.0	48.0	594	5.0	100.0	72.0	34.0	46.0	594	5.3	98.0	68.0	30.0	40.0	593	5.7	101.0	48.0							360	22.000		2693	1385	KS315SA	
KS315SB	42.0	56.0	594	5.0	121.0	75.0	38.0	51.0	595	5.5	117.0	68.0	34.0	45.0	596	6.2	103.0	60.0							305	22.000	35.200	2993	1385	KS315SA	
KS315M1																										370	27.700		3544	1480	KS315M1
KS315M2	46.0	61.5	594	5.2	128.0	76.0	44.0	59.0	595	5.4	123.0	73.0	37.0	50.0	596	6.4	126.0	61.0							370	27.700	44.000	3544	1480	KS315M2	
KS355SA	57.0	78.4	594	4.4	139.0	108.0	52.0	70.0	595	5.0	134.0	98.0	46.0	61.5	595	5.5	126.0	87.0							320	39.800	47.200	4195	2000	KS355SA	
KS355SB	57.0	78.4	594	4.7	144.0	93.0	52.0	70.0	595	5.2	140.0	85.0	46.0	61.5	596	5.9	135.0	75.5							370	45.800	49.300	4929	2100	KS355SB	
KS355MA																										370	45.600		4829	2200	KS355MA
KS355MB	70.0	94.0	594	5.2	170.0	100.0	66.0	88.0	595	5.5	160.0	96.0	58.0	78.0	596	6.2	152.0	84.0							420	51.600	86.700	5937	2300	KS355MB	
KS355LA																										420	51.600		5937	2390	KS355LA
KS355LB	75.0	100.0	595	6.3	205.0	132.0	72.0	96.5	595	6.5	197.0	127.0	65.0	87.0	596	7.0	190.0	114.0							350	67.000	118.70	7766	2550	KS355LB	
KS400LA																										410	85.000		7952	3000	KS400LA
KS400LB																										475	99.100		9809	3300	KS400LB
KS450LA	120.0	160.0	595	5.8	307.0	177.0	110.0	150.0	596	6.3	288.0	163.0	100.0	135.0	597	7.0	288.0	148.0							410	162.80	140.00	11867	4000	KS450LA	
KS450LB	150.0	200.0	596	5.7	362.0	192.0	140.0	188.0	596	6.1	371.0	179.0	120.0	160.0	597	7.1	352.0	154.0							475	183.60	175.00	14504	4400	KS450LB	
KS500L	170.0	228.0	595	4.4	602.0	360.0	160.0	215.0	597	7.4	487.0	215.0	140.0	188.0	597	8.4	471.0	188.0							455	271.00	200.00	19039	5400	KS500L	
KS500LX	180.0	240.0	595	6.8	630.0	240.0	175.0	235.0	596	7.0	536.0	233.0	160.0	215.0	597	7.8	540.0	213.0							460	332.00	220.00	20277	5900	KS500LX	
KS560LX	400.0	540.0	597	5.9	980.0	475.0	350.0	470.0	597	6.7	945.0	415.0	300.0	400.0	597	7.9	900.0	355.0							500	740.00	300.00	38630	10000	KS560LX	

* Up to frame size 315. For frame sizes above 315 the applicable ambient temp. will be 40°C.

OUTLINE DIMENSIONAL DRAWING FOR CRANE RANGE OF MOTORS



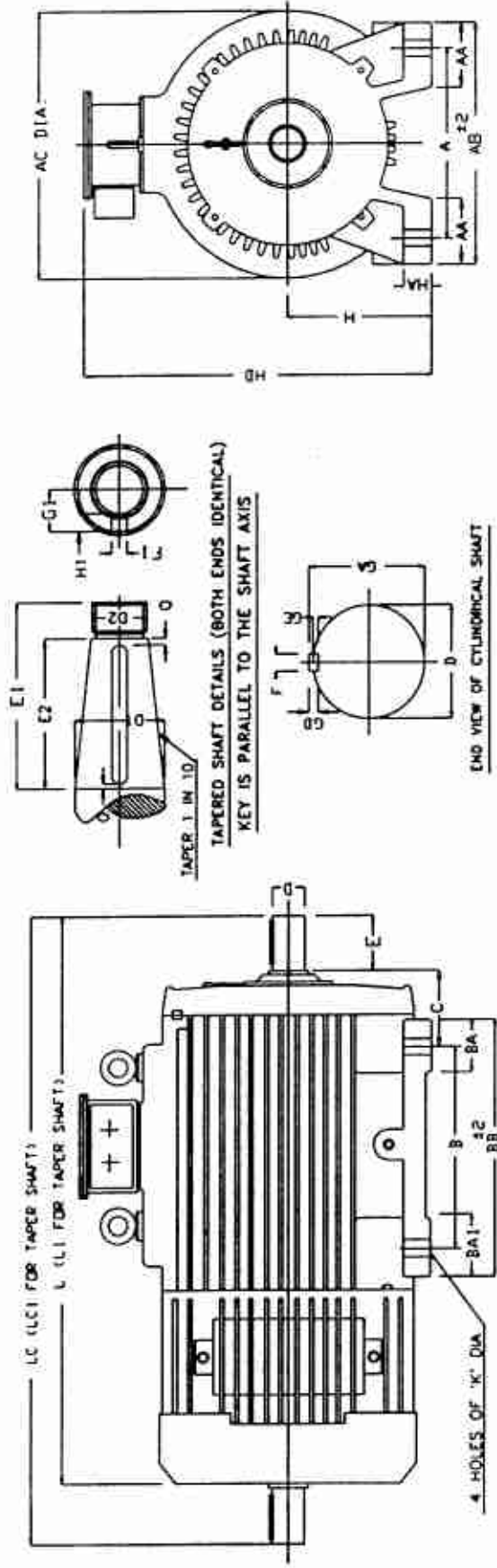
STANDARD DIMENSIONS CONFORMS TO IS1231—1974 & IPSS SPEC.

All dimensions are in mm.

FRAME	FIXING DIMENSIONS					AC DIA	HD	AA	AB	BA	BB
	NOM.	TOL.	A	B	C						
KS112M	112	-0.5	190	140	70	252	325	45	226	50	170
KS132M	132	-0.5	216	178	89	300	372	55	260	55	220
KS160M	160	-0.5	254	210	108	346	445	55	305	75	260
KS160L	160	-0.5	254	254	108	346	445	55	305	78	305

FRAME	CYLINDRICAL SHAFT DIMENSION DETAILS (BOTH ENDS)										TAPER SHAFT DIMENSION DETAILS (BOTH ENDS)											
	L	LC	E	D	NOM.	TOL.	GA	F	NOM.	TOL.	GD	L1	LC1	D1	D2	E1	E2	F1	H1	G1	Q	
KS112M	610	675	60	28	+0.18 +0.02	31	8	-0.36	7	-0.090	4	+2	610	675	T 28	M16X1.5	60	42	5	5	27.9	3
KS132M	700	785	80	38	+0.18 +0.02	41	10	-0.36	8	-0.090	5	+2	700	785	T 38	M20X1.5	80	54	8	7	20	5
KS160M	780	894	110	42	+0.18 +0.02	45	12	-0.43	8	-0.090	5	+2	780	894	T 42	M24X2	110	82	10	8	22	5
KS160L	824	938	110	42	+0.18 +0.02	45	12	-0.43	8	-0.090	5	+2	824	938	T 42	M24X2	110	82	10	8	22	5

OUTLINE DIMENSIONAL DRAWING FOR CRANE RANGE OF MOTORS



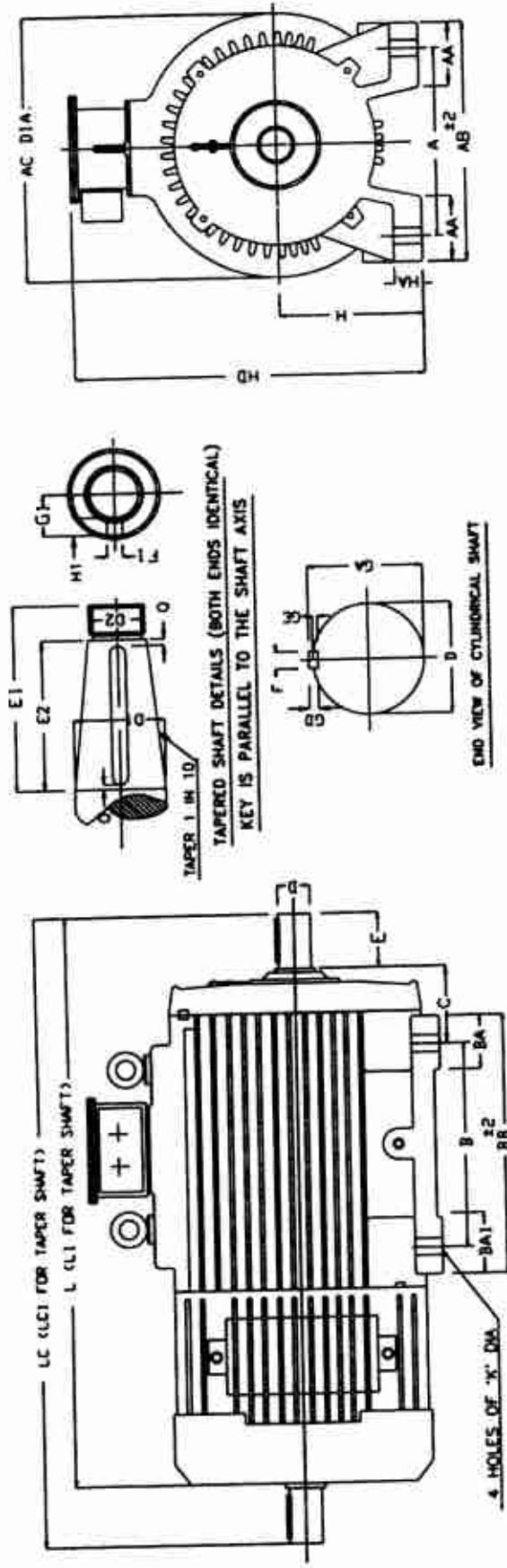
All dimensions are in m.m.

STANDARD DIMENSIONS CONFORMS TO IS1231—1974 & IPSS SPEC.

FRAME	H		FIXING DIMENSIONS				AC DIA	HD (Max.)	AB	AA	BB	BA (Min.)	BA1 (Min.)
	NOM.	TOL.	A	B	C	K							
KS180L	180	-0.5	279	279	121	15	395	490	340	75	340	85	85
KS200L	200	-0.5	318	305	133	19	450	545	400	89	365	95	95

FRAME	CYLINDRICAL SHAFT DIMENSION DETAILS (BOTH ENDS)						TAPER SHAFT DIMENSION DETAILS (BOTH ENDS)															
	L (Max.)	LC	E	D	NOM.	TOL.	F	NOM.	TOL.	GD	GE	L1 (Max.)	LC1	D1	D2	E1	E2	F1	H1	G1	Q	
KS180L	880	990	110	48	+0.030	+0.011	14	-0.052	9	-0.011	5.5	+0.2	880	990	T 48	M30X2	110	82	12	8	25	5
KS200L	947	1057	110	55	+0.030	+0.011	16	-0.052	10	-0.011	6	+0.2	947	1057	T 55	M36X3	110	82	14	9	29	5

OUTLINE DIMENSIONAL DRAWING FOR CRANE RANGE OF MOTORS



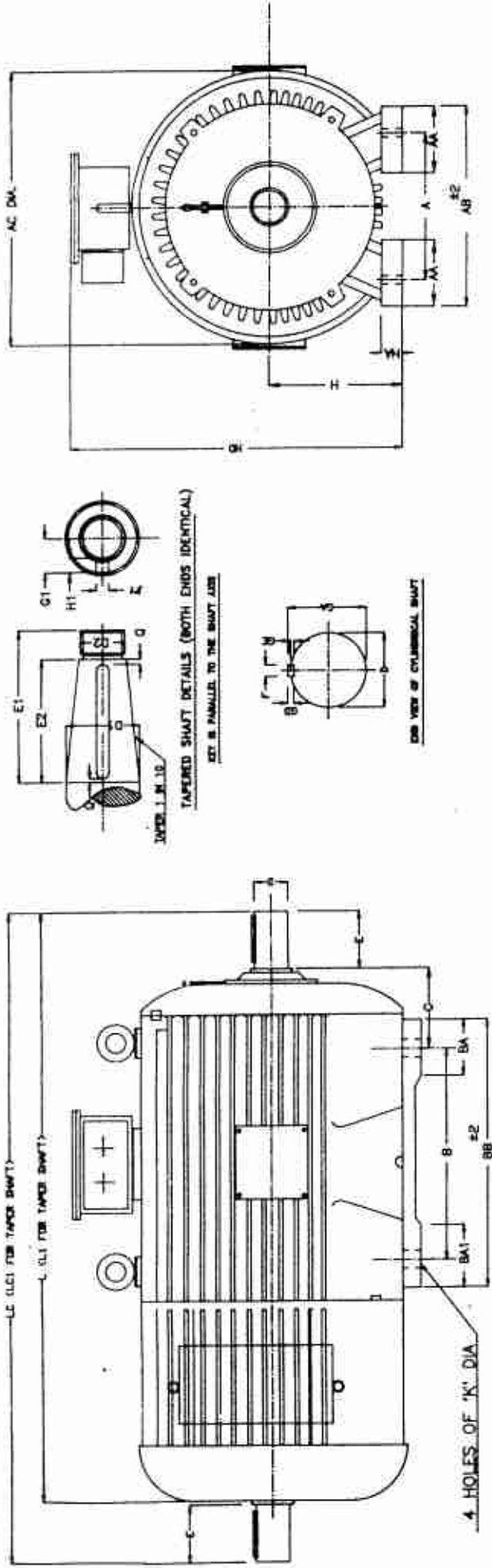
STANDARD DIMENSIONS CONFORMS TO IS1231—1974 & IPSS SPEC.

All dimensions are in mm.

FRAME	FIXING DIMENSIONS				AC DIA	HD (Max.)	AB	AA	BB	BA (Min.)	BA1 (Min.)
	H	A	B	C							
KS225S	225	356	286	149	500	635	457	108	345	108	108
KS225M	225	356	311	149	500	635	457	108	370	108	108
KS250S	250	406	311	168	500	660	483	108	382	115	115
KS250M	250	406	349	168	500	660	483	108	420	115	115

FRAME	CYLINDRICAL SHAFT DIMENSION DETAILS (BOTH ENDS)										TAPER SHAFT DIMENSION DETAILS (BOTH ENDS)											
	L (Max.)	LC	E	D		GA	F		GD	GE	L1 (Max.)	LC1	D1	D2	E1	E2	F1	H1	G1	Q		
				NOM.	TOL.		NOM.	TOL.													NOM.	TOL.
KS225S	1053	1194	140	60	+030 +011	64	18	-052	11	-011	7	+2	1053	1194	T 60	M42X3	140	105	16	10	31.4	5
KS225M	1077	1218	140	60	+030 +011	64	18	-052	11	-011	7	+2	1077	1218	T 60	M42X3	140	105	16	10	31.4	5
KS250S	1117	1256	140	65	+030 +011	69	18	-052	11	-011	7	+2	1117	1256	T 70	M48X3	140	105	18	11	36.4	5
KS250M	1155	1294	140	65	+030 +011	69	18	-052	11	-011	7	+2	1155	1294	T 70	M48X3	140	105	18	11	36.4	5

OUTLINE DIMENSIONAL DRAWING FOR CRANE RANGE OF MOTORS



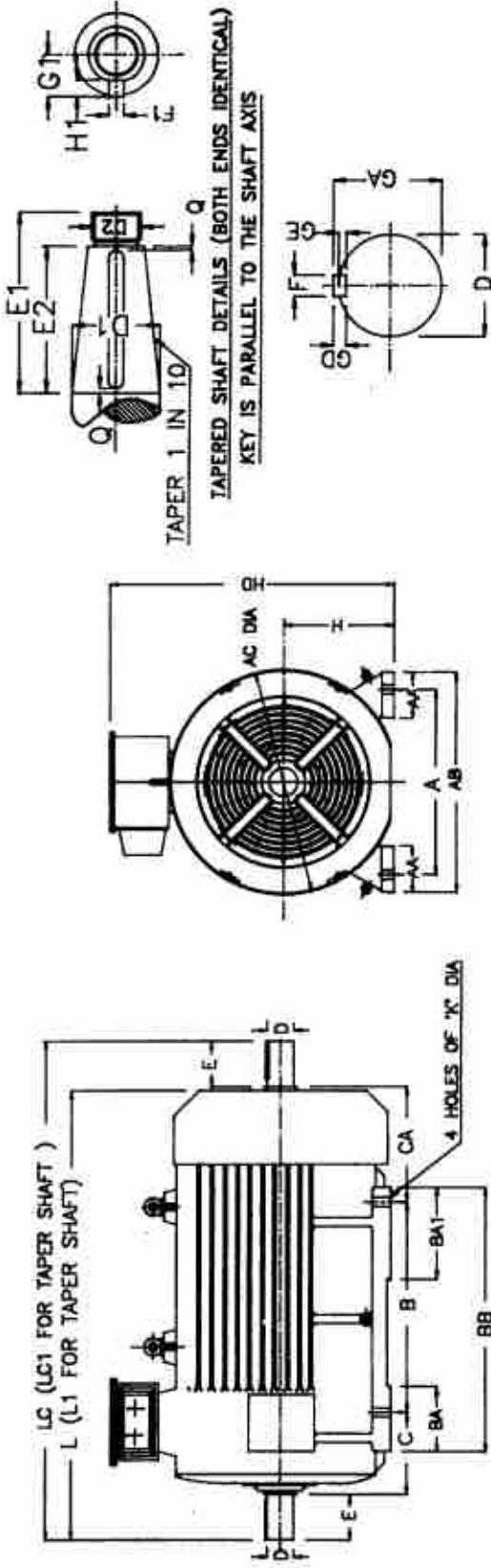
STANDARD DIMENSIONS CONFORMS TO IS1231—1974 & IPSS SPEC.

All dimensions are in m.m.

FRAME	FIXING DIMENSIONS					AC DIA	HD (Max.)	AB	AA	BB	BA (Min.)	BA1 (Min.)
	NOM.	TOL.	A	B	C							
KS280S	280	-1	457	368	190	560	830	560	112	490	120	120
KS280M	280	-1	457	419	190	560	830	560	112	490	120	120
KS315S	315	-1	508	406	216	620	885	620	120	520	143	143
KS315M	315	-1	508	457	216	620	885	620	120	520	143	143

FRAME	CYLINDRICAL SHAFT DIMENSION DETAILS (BOTH ENDS)						TAPER SHAFT DIMENSION DETAILS (BOTH ENDS)															
	L (Max.)	LC	E	D	NOM.	TOL.	GA	F	NOM.	TOL.	GD	GE	L1 (Max.)	LC1	D1	D2	E1	E2	F1	H1	G1	Q
KS280S	1300	1428	140	75	+030 +011	79.5	20	-052	12	-011	7.5	+2	1330	1488	T 80	M56X4	170	130	20	12	41.3	5
KS280M	1300	1428	140	75	+030 +011	79.5	20	-052	12	-011	7.5	+2	1330	1488	T 80	M56X4	170	130	20	12	41.3	5
KS315S	1425	1602	170	80	+030 +011	85	22	-052	14	-011	9	+2	1425	1602	T 90	M64X4	170	130	22	14	46.7	5
KS315M	1425	1602	170	80	+030 +011	85	22	-052	14	-011	9	+2	1425	1602	T 90	M64X4	170	130	22	14	46.7	5

OUTLINE DIMENSIONAL DRAWING FOR CRANE RANGE OF MOTORS



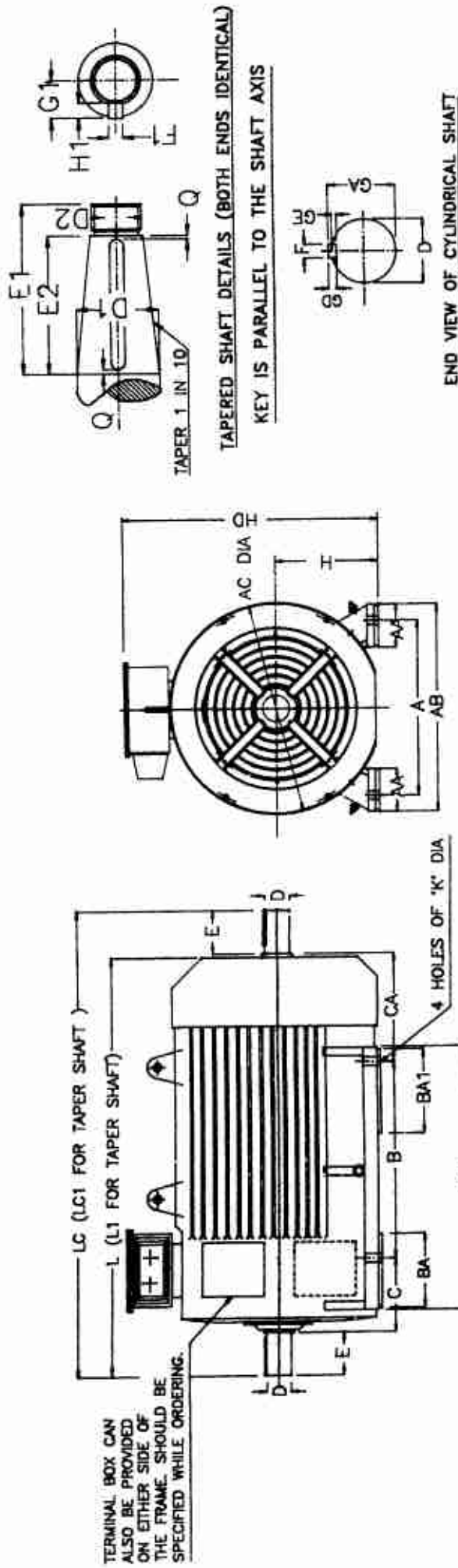
STANDARD DIMENSIONS CONFORMS TO IS 8223 & IPSS SPEC.

All dimensions are in m.m.

FRAME	FIXING DIMENSIONS										AC DIA	HD	AA	AB	BA	BA1	BB
	H NOM.	H TOL.	A	B	C	CA	K	DIA									
KS355S	355	-1	610	500	254	631	28	760	1025	152	710	200	300	770			
KS355M	355	-1	610	560	254	631	28	760	1025	152	710	200	300	830			
KS355L	355	-1	610	630	254	631	28	760	1025	152	710	200	300	900			
KS 400L	400	-1	686	710	280	615	35	850	1068	180	812	200	400	1005			
KS450L	450	-1	750	900	315	670	35	960	1215	180	876	200	400	1223			

FRAME	CYLINDRICAL SHAFT DIMENSION DETAILS (BOTH ENDS)										TAPER SHAFT DIMENSION DETAILS (BOTH ENDS)												
	L	LC	E	D	NOM.	TOL.	GA	F	NOM.	TOL.	GD	GE	L1	LC1	D1	D2	E1	E2	F1	H1	G1	Q	
KS355S	1545	1725	170	90	+0.035	+0.013	95	25	-0.052	14	-0.110	9	-2	1585	1805	100	M72X4	210	165	25	14	50.9	5
KS355M	1605	1785	170	90	+0.035	+0.013	95	25	-0.052	14	-0.110	9	-2	1645	1865	100	M72X4	210	165	25	14	50.9	5
KS355L	1675	1855	170	90	+0.035	+0.002	95	25	-0.052	14	-0.110	9	-2	1715	1935	100	M72X4	210	165	25	14	50.9	5
KS400L	1805	2025	210	100	+0.035	+0.013	105	25	-0.052	14	-0.110	9	-2	1805	2025	110	M80X4	210	165	25	14	55.9	5
KS450L	2080	2305	210	110	+0.035	+0.013	116	28	-0.052	16	-0.110	9	-2	2080	2305	118	M80X4	210	165	28	16	61.9	5

OUTLINE DIMENSIONAL DRAWING FOR CRANE RANGE OF MOTORS



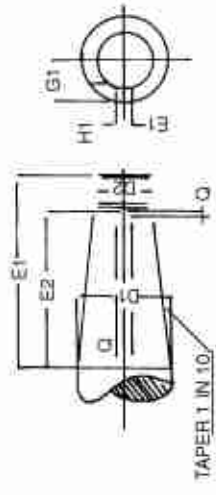
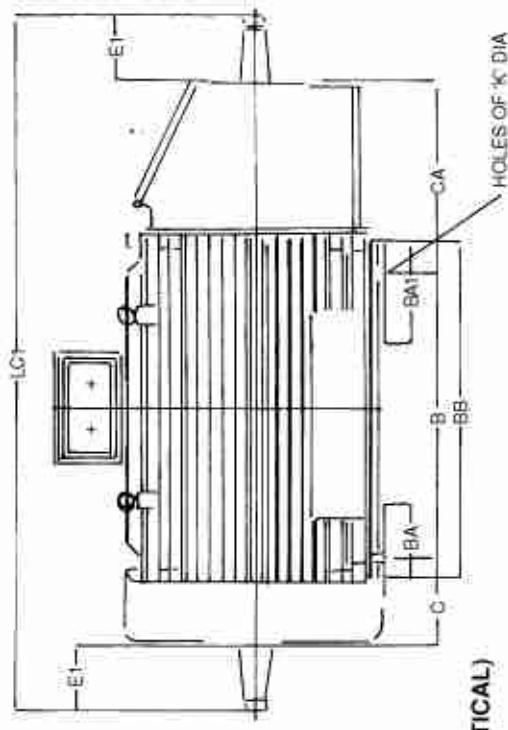
TERMINAL BOX CAN ALSO BE PROVIDED ON EITHER SIDE OF THE FRAME. SHOULD BE SPECIFIED WHILE ORDERING.

All dimensions are in m.m.

FRAME	H		FIXING DIMENSIONS				AC DIA	HD	HA	AA	AB	BA	BA1	BB
	NOM.	TOL.	A	B	C	CA								
KS500L	500	-1.5	850	1120	355	635	1045	1280	55	200	1000	436	544	1410

FRAME	CYLINDRICAL SHAFT DIMENSION DETAILS (BOTH ENDS)										TAPER SHAFT DIMENSION DETAILS (BOTH ENDS)												
	L	LC	E	D		GA	F		GD	GE	L1	LC1	D1	D2	E1	E2	F1	H1	G1	Q			
				NOM.	TOL.		NOM.	TOL.													NOM.	TOL.	
KS500L	2300	2530	210	120	+0.035	+0.013	127	32	-0.062	18	-0.110	11	+2	2340	2610	128	M90X4	250	200	32	18	66	5

OUTLINE DIMENSIONAL DRAWING FOR CRANE RANGE OF MOTORS



TAPERED SHAFT DETAILS (BOTH ENDS IDENTICAL)

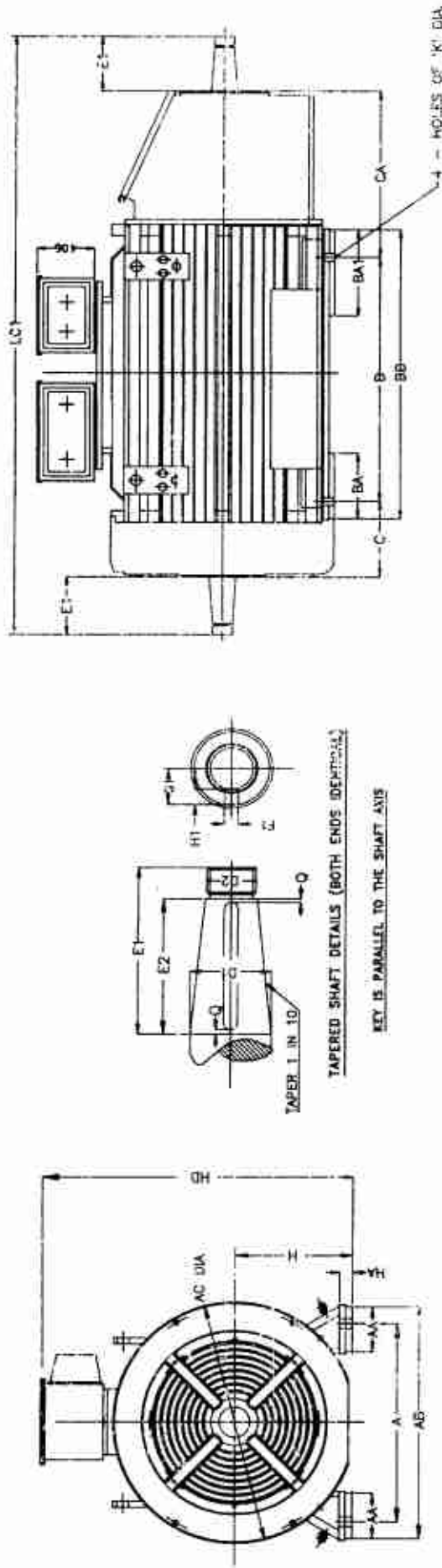
KEY IS PARALLEL TO THE SHAFT AXIS

All dimensions are in m.m.

FRAME	NOM.	H	FIXING DIMENSIONS										TAPER SHAFT DIMENSIONS DETAILS (BOTH)				
			A	B	C	CA	K	LC1	D1	D2	E1	E2	F1	H1	G1	Q	
KS500LX	500	-1.5	850	1120	365	775	42	2760	128	M90X4	250	200	32	18	66	5	

FRAME	HA	AC DIA	HD	AA	BA	BA1	BB
KS500LX	45	1013	1322	200	300	400	1336

OUTLINE DIMENSIONAL DRAWING FOR CRANE RANGE OF MOTORS



All dimensions are in mm.

FRAME	NOM.	H	FIXING DIMENSIONS						AC DIA	HD	HA	AA	AB	BA	BA1	BB
			A	B	C	CA	K	DIA								
KS560LX	560	-1.5	950	1250	375	825	42	1200	1700	55	265	1100	350	400	1470	

FRAME	TAPER SHAFT DIMENSION DETAILS (BOTH ENDS)								
	LC1	D1	D2	E1	E2	F1	H1	G1	Q
KS560LX	2950	150	M110X4	250	200	36	20	83	5



Specialized custom built motors • Specialists in short cycle deliveries

Marathon Electric Motors (India) Ltd. Registered & Head Office: 58, Taratala Road, Kolkata - 700024. LT Motor & Fan Factory, Paharpur Works, 58, Taratala Road, Kolkata - 700024, Tel: 2469 5369 / 8530, 09331059516. Large LT Motor & HT Motor Factory, AEI Works 1, Taratala Road, Kolkata-700024. **Marathon Regional Offices:** **New Delhi:** 708, Eros Building, 56, Nehru Place; Tel: 011 4160 7123, 09313290402. **Chandigarh:** Chamber No. 8a, 2 Floor, Sco No. 2441-42, Sector 22-C; Tel: 09316102451. **Mumbai:** 114 Navneelam, R.G. Thadani Marg, Worli; Tel: 022 3265 9844, 09322645753, Fax: 022 3040 1555. **Pune:** 41/14, Office Club Swaroop Complex Karve Road; Tel: 020 2546 3978, 09371025388. **Ahmedabad:** 415 / Platinum Plaza, Nr. Pushkar Tower, Judge-bungalow-bodakdev Road; Tel: 079 2560 2297, 09327048567. **Nagpur:** 1 Floor, Block A, Thapar Enclave, Plot No. 148, Ramdaspath; Tel: 0712 2526 220, 09373283527. **Raipur:** 1 Floor, 141, Sundernagar, Near Adarsh Chowk; Tel: 0771 2210 240. 09329128913. **Chennai:** Door No. 9, Flat No. 7, 1 Floor, Thiru. Vi. Ka. Road, Royapettah, (opp. Sathyam Theatre), Tel: 044 4351 0152, 09382102392, Fax: 044 4351 0153. **Secunderabad:** Cabin No. 47, 303, Swapnalok Complex, 92, S. D. Road; Tel: 040 2781 2724, 09391340619. **Bangalore:** C1-101, White House, 15 Cross, 6 Main R. T. Nagar; Tel: 080 2655 8729, 09341279429. **Bhubaneswar:** C/o. Plot No. 16-b, Engineers Colony, Old Station Bazar; Tel: 0674 231 3744, 09338212907. **Jamsbedpur:** C/o. Mr. D. P. Ghosh, House No. 7, Bidasagar Path, Uliyan, Kadma; Tel: 0 93346 12014. **GEMI Motors India Pvt. Ltd.,** Sec.-11 Model Town, Faridabad - 121006 (INDIA), Tel: 0129 2286421/2265340; Fax : 0129-2284855, email : gemi.sales@regalbeloit.com **GEMI Regional Offices :** **Ahmedabad :** 406, Vedant Complex, 7, Kalpana Colony, Off. C.G. Road, Navrangpura, Ahmedabad-380009, Tel: 079-26561819, 9825611502. Fax: 079-26560452. **Chennai :** 6 Arcot Road, Vadapalani, Chennai - 600092, Tel: 044-42136697, 42333353, 9840429331, Fax: 044-42082322. **Jaipur :** C/o Flat No. 104, Block A, Rama Heritage Apartments, Central Spine, Vidhyadhar Nagar, Jaipur-302 023. Ph: 9982655661. **Kolkata :** 58, Taratala Road, Kolkata - 700024; Tel: 91 033 24695560/61, Fax: 033 24695369/8530. **Mumbai :** B-908/909, Sagar Tech Plaza, Andheri - Kurla Road, Saki Naka, Andheri (East), Mumbai - 400072, Tel: 022-28523106, 9833756269, Fax: 022-28528938. **Pune :** C/o: 8, Sethu Apartments, Right Bhusari Colony, Paud Road, Kothrud, Pune-411038, Tel: 020-65224846, 9960604846. **Bangalore :** Tel:9342299995. **Hyderabad :** Tel:9393002665. **Delhi :** Flat No. 516-518, 5th Floor, Antriksh Bhawan, 22 K.G. Marg New Delhi -01 Tel: 9873184209.